

CARBON MONOXIDE TRANSMITTER

2-WIRE, CONFIGURABLE RANGE



ABOUT SCC653

SCC653 continuously monitors the % of carbon monoxide in air using an onboard electrochemical sensor.

SCC653 provides a 2-wire, loop powered 4 to 20 mA output signal proportional to the carbon monoxide concentration in air. An optional LCD display is available for local indication.

SCC653 can be configured for CO ranges via DIP switches provided or it can be calibrated for output & configured for CO ranges using DCC501 interface & PC based utility software.

APPLICATIONS

- Pharma clean rooms
- Car parking lots
- Greenhouse
- Food industry
- Shopping malls
- Cold storage

FEATURES

- User configurable CO ranges upto 1000 ppm
- Optional 4 digit dual row LCD display to display carbon monoxide value in ppm
- Field replaceable CO sensor
- True 2-wire operation
- IP65 protection for enclosure
- Wall mount arrangement
- Internal switch provided to adjust zero ppm
- DIP for range selection

CARBON MONOXIDE TRANSMITTER

2-WIRE, CONFIGURABLE RANGE

SPECIFICATIONS

All specifications at ambient of 25 °C, unless specified otherwise

INPUT

Sensor	Electrochemical
Measurement range	0~1000 ppm, configurable
Accuracy	± 5 ppm or ± 5% of reading
Accuracy rated temperature	0~50 °C (-32 °F to 122 °F), 15 to 95%
Life expectancy	2 years
Sample method	Diffusion
Pressure range	0.9~1.1
Long term stability	< ± 5% signal / year
Response time	< 30 sec for 90% step change
Coverage area	7500 sqft or 50 feet radius
Max air pressure	<5 Kg/cm ²

ANALOG OUTPUTS

Output type	4~20mA, 2-wire
Permissible load	(Vpower supply - 7.5V) / 0.0208A
Current limit	3.8 mA or 20~22 mA, in case 10 sensor unplugged

CROSS SENSITIVITY See Table 1

POWER SUPPLY

Supply voltage	7.5~45 V DC, reverse polarity protected
Supply voltage effect on output	Negligible, 0.001% of span/V

CALIBRATION & CONFIGURATION

Via keys with display option or PC based configurator software using DCC501 interface

TEMPERATURE, HUMIDITY

Ambient, operation	-20°C ~ +50 °C
Relative humidity	15 ~ 90% RH, non-condensing

MECHANICAL

Enclosure	ABS plastic
Dimensions (in mm)	See Fig 1
Protection	IP65 except sensor
Mounting	Surface
Installation	For better result should be installed at least 5 feet from the floor, preferably on upper part of walls

TABLE 1

The following table gives cross sensitivity information for a variety of commonly encountered gases with CO.

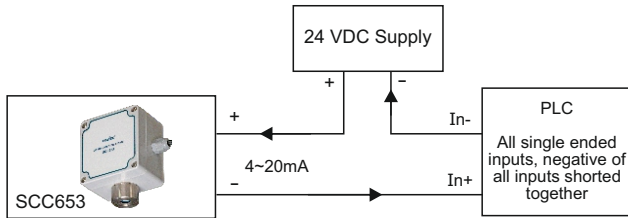
Test gas	Tested concentration (ppm)	CO equivalent reading (ppm)	% Cross-sensitivity
Carbon monoxide	100	100	100
Hydrogen sulphide	10	0	0
Hydrogen	1000	<400	<40
Methane	5000	0	0
Carbon dioxide	5000	0	0
Sulphur dioxide	30	0	0
Nitric oxide	50	<35	<70
Nitrogen dioxide	30	<2	<7
Ammonia	1000	0	0
Ethyl acetate	200	0	0
Ethanol	2000	<20	<1
Ethylene	100	<80	<80
Chlorine	1	0	0
Formic Acid	100	0	0

CARBON MONOXIDE TRANSMITTER

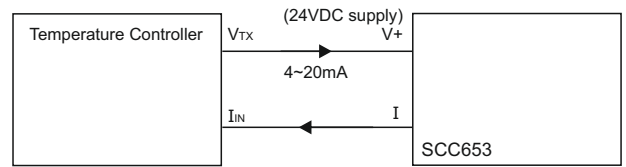
2-WIRE, CONFIGURABLE RANGE

CONNECTION DIAGRAM

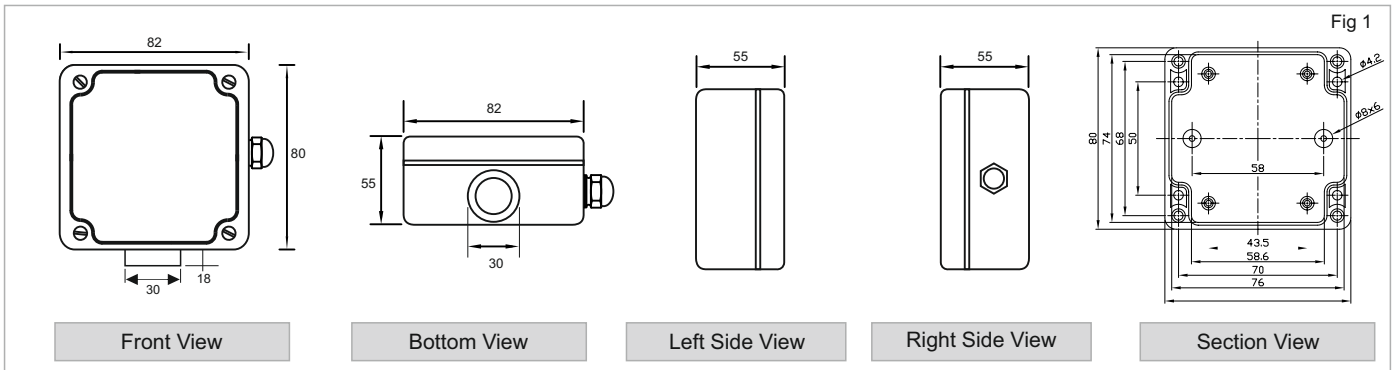
SCC653 connected to PLC



SCC653 connected to controller



DIMENSIONS mm

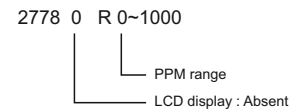


ORDERING INFORMATION

Example	2778	0	R	
Order Code	2778			
LCD Display		0		Absent
		1		Present
Range Selection			R	User to specify. Default range 0~1000 ppm

Default order code

LCD display : Absent,
PPM range : 0~1000



User can also select range through PC using DCC501 converter

ITEM	MODEL	ORDER CODE
USB TO SERIAL CONVERTER - ISOLATED*	DCC501	2555 0

* To be purchased separately.

ENQUIRIES

Instruments: sales@radix.co.in
Sensors: sensors@radix.co.in
Gauges: gauges@radix.co.in
Automation: automation@radix.co.in
Level: level@radix.co.in

RADIX ELECTROSYSTEMS PVT LTD
EL-135/136/137, Electronics Zone
TTC Indl. Area, MIDC, Mahape
Navi Mumbai - 400 710, India
+ 91 22 42537777 • sales@radix.co.in

radix®
www.radix.co.in