

NO TOUCH SWITCHES

NTS20x



With or Without Light & Buzzer Control



Distance Adjustment



Time Adjustment



12 ~ 24V DC supply



Potential Free Relay Contact



SS or Plastic Body

NO TOUCH SWITCHES

NTS20x

VARIOUS SS PLATE SIZES



86x92 mm



52x115 mm



41x115 mm

NTS201 / NTS203 : LIGHT & BUZZER CONTROL



RED LED



GREEN LED



BUZZER

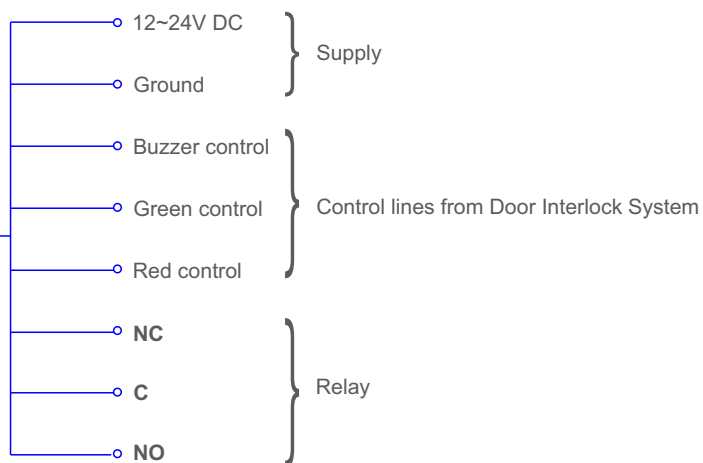


DOOR INTERLOCK SYSTEM
DXC241/341/281

POTENTIAL FREE RELAY CONTACT



SWITCH REAR VIEW



NO TOUCH SWITCHES

NTS20x

SPECIFICATIONS

All specifications at ambient of 25 °C, unless specified otherwise

	NTS201	NTS202	NTS203
SUPPLY VOLTAGE			
Supply voltage	12 ~ 24V DC		
INPUTS			
Inputs	Red LED control	-	Red LED control
	Green LED control	-	Green LED control
	Buzzer control	-	-
DISTANCE & RELAY TIME			
Distance adjustment	Potentiometer	-	-
Relay time adjustment	Potentiometer	-	-
INDICATIONS			
Indications	Red & Green LEDs		
	Buzzer (audio)	-	-
ENVIRONMENTAL			
Operating temperature	0 to 55 °C		
Relative humidity	5-95% RH (non-condensing)		
OUTPUT RELAY			
Output	Potential free relay contacts (NO-C-NC)		
Contact rating	2A 30V DC		
Maximum switching voltage	220V DC / 250V AC		
Maximum switching current	2A		
Isolation between coil & contact	500V AC/1min		
PROTECTION			
Housing	IP65		

NO TOUCH SWITCHES

NTS20x

NTS201

- Light control (Red & Green)
- Buzzer control
- Distance adjustment
- Time adjustment

				
Order code	2888-B-1-x-x	2888-B-2-x-x	2888-A-1-x-x	2888-A-2-x-x
Dimensions (LxWxH)	86x55.5x92 mm	86x55.5x92 mm	52x55.5x115 mm	52x55.5x115 mm
Refer Fig	Fig 1	Fig 1	Fig 2	Fig 2
Body	SS304L	Polycarbonate	SS304L	Polycarbonate

NTS202

- Time adjustment
- Distance adjustment
- Compact in size

NTS203

- Light control (Red & Green)
- Compact in size

						
Order code	2889-B-1-x-x, 2994-B-1-x	2889-B-2-x-x 2994-B-2-x	2889-C-1-x-x, 2994-C-1-x,	2889-C-2-x-x 2994-C-2-x	2889-A-1-x-x 2994-A-1-x	2889-A-2-x-x, 2994-A-2-x
Dimensions (LxWxH)	86x46x92 mm	86x46x92 mm	52x46x115 mm	52x46x115 mm	41x46x115 mm	41x46x115 mm
Refer Fig	Fig 3	Fig 3	Fig 4	Fig 4	Fig 5	Fig 5
Body	SS304L	Polycarbonate	SS304L	Polycarbonate	SS304L	Polycarbonate

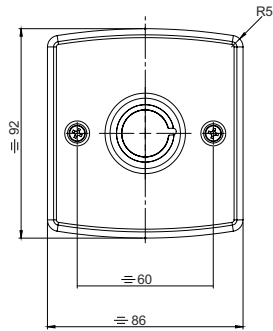
NO TOUCH SWITCHES

NTS20x

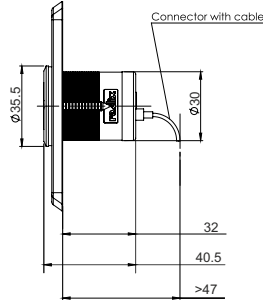
DIMENSIONS mm

Fig 1

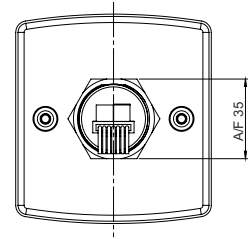
Applicable order codes : 2888-B-1-x-x, 2888-B-2-x-x



Front View



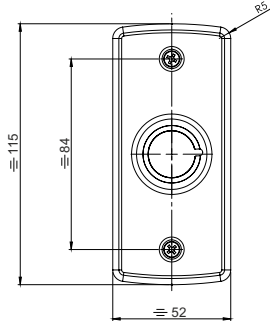
Side View



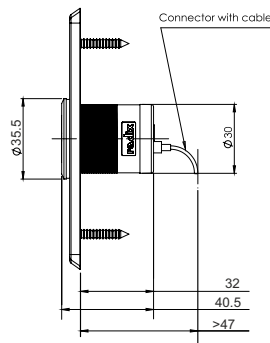
Rear View

Fig 2

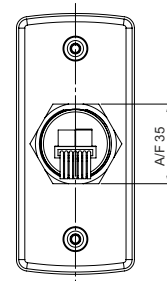
Applicable order codes : 2888-A-1-x-x, 2888-A-2-x-x



Front View



Side View



Rear View

NO TOUCH SWITCHES

NTS20x

DIMENSIONS mm

Fig 3

Applicable order codes : 2889-B-1-x-x, 2889-B-2-x-x, 2994-B-1-x-x, 2994-B-2-x-x

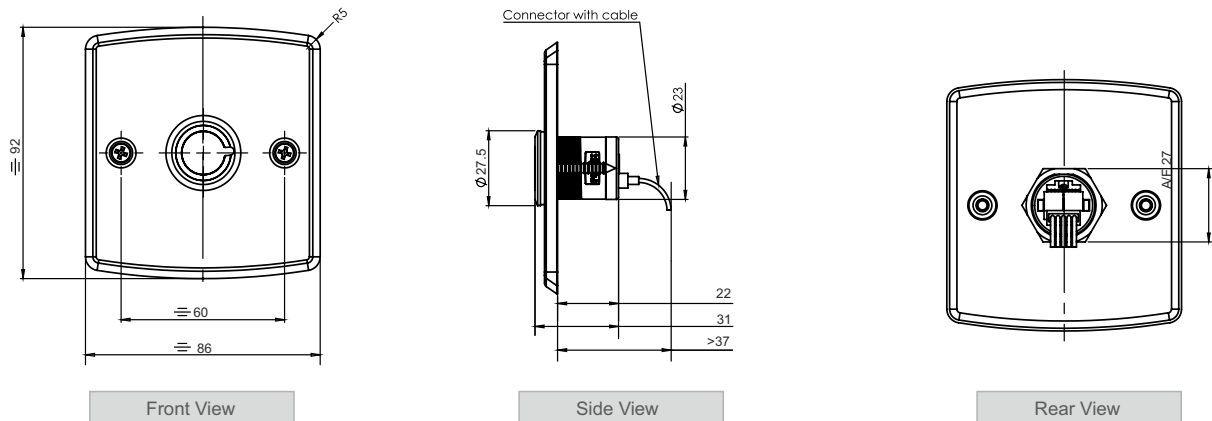


Fig 4

Applicable order codes : 2889-C-1-x-x, 2889-C-2-x-x, 2994-C-1-x-x, 2994-C-2-x-x

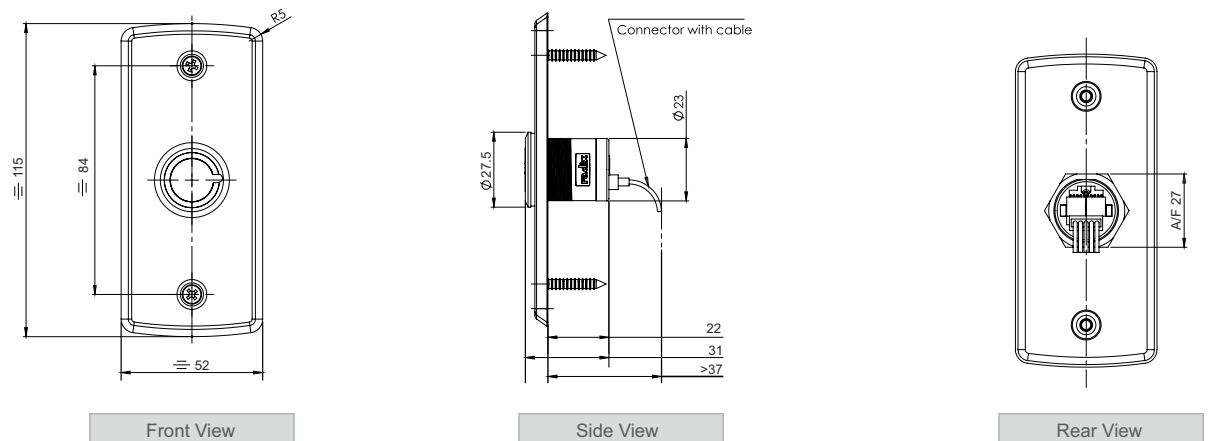
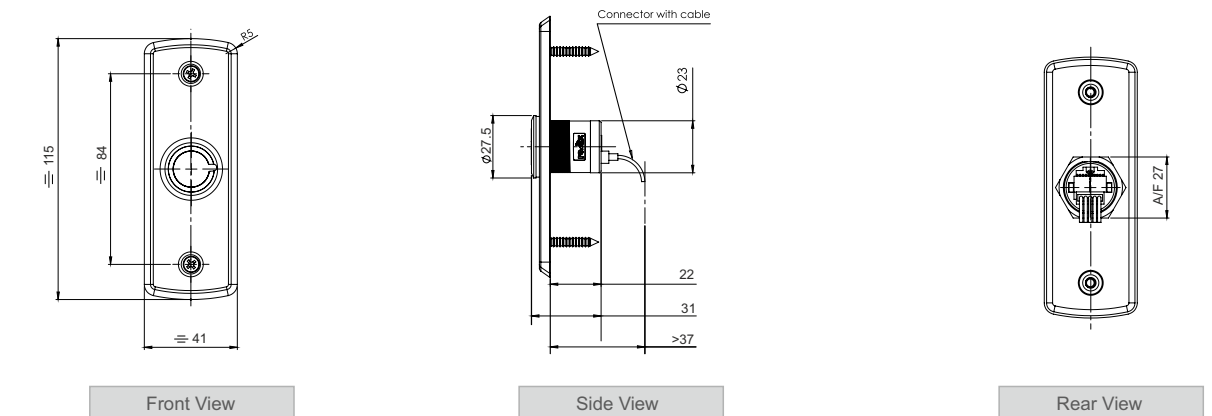


Fig 5

Applicable order codes : 2889-A-1-x-x, 2889-A-2-x-x, 2994-A-1-x-x, 2994-A-2-x-x



FEATURES SUMMARY

NTS201

- With light & buzzer control
- Distance adjustment with potentiometer
- Time adjustment with potentiometer (optional)
- Various SS plate sizes
- Brush or mirror finish plates
- Plastic or SS body
- Relay output (NO-C-NC)
- 12 to 24 VDC supply

NTS202

- Distance adjustment with potentiometer
- Time adjustment with potentiometer (optional)
- Various SS plate sizes
- Brush or mirror finish plates
- Plastic or SS body
- Relay output (NO-C-NC)
- 12 to 24 VDC supply

NTS203

- With light control
- Various SS plate sizes
- Brush or mirror finish plates
- Plastic or SS body
- Relay output (NO-C-NC)
- 12 to 24 VDC supply

ORDERING INFORMATION

NTS201

CODE	SPECIFICATIONS	1	2	3	4
2888					
1	Dimensions (LxWxH)				
	52x55.5x115 mm (rectangular)	A			
	86x55.5x92 mm (square)	B			
2	Body				
	SS304		1		
	Polycarbonate		2		
3	Material Finishing				
	Brush finish			A	
	Mirror finish			B	
4	Time Adjustment				
	Not available				1
	Available				2

CODE -1-2-3-4

Order Code Format : XXXX-X-X-X-X

Example

NTS201, 86x55.5x92 mm (square), polycarbonate, brush finish, no time adjustment
2888-B-2-A-1

NTS202

CODE	SPECIFICATIONS	1	2	3	4
2889					
1	Dimensions (LxWxH)				
	41x46x115 mm (rectangular)	A			
	86x46x92 mm (square)	B			
	52x46x115 mm (rectangular)	C			
2	Body				
	SS304		1		
	Polycarbonate		2		
3	Material Finishing				
	Brush finish			A	
	Mirror finish			B	
4	Time Adjustment				
	Not available				1
	Available				2

CODE -1-2-3-4

Order Code Format : XXXX-X-X-X-X

Example

NTS202, 41x46x115 mm (rectangular), SS304, brush finish, with time adjustment
2889-A-1-A-2

NTS203

CODE	SPECIFICATIONS	1	2	3
2994				
1	Dimensions (LxWxH)			
	41x46x115 mm (rectangular)	A		
	86x46x92 mm (square)	B		
	52x46x115 mm (rectangular)	C		
2	Body			
	SS304		1	
	Polycarbonate		2	
3	Material Finishing			
	Brush finish			A
	Mirror finish			B

CODE -1-2-3

Order Code Format : XXXX-X-X-X

Example

NTS203, 52x46x115 mm (rectangular), SS304, brush finish
2994-C-1-A