

INDUSTRIAL AND PROCESS APPLICATIONS**MODEL : CSE08 SERIES**

Sealed diaphragm pressure gauges are designed for use in process applications where

- Process element materials capable of withstanding corrosive effects of certain fluids are not available.
- The process fluid being measured would normally clog the pressure measuring device or
- The process fluid in the measuring element might freeze due to changes in ambient temperatures.

SPECIAL FEATURES

- I-section type bolted construction
- Flanged process connection for direct mounting
- Weather proof to IP68 per IS/IEC 60529:2001
- Diaphragm material, SS316L teflon protected
- Scale ranges upto 0...280 kg/cm²
- Also available with flexible stainless steel armored capillary

DESIGN

EN837-1

NOMINAL DIAL SIZE

NS 100, 150 & 250mm

ACCURACY

As per EN837-1

SCALE RANGES

0...1 kg/cm² to 0...200 kg/cm² (Single range)
0...1.06 kg/cm² / 15 psi to 0...210 kg/cm² / 3000 psi (Dual range)
or other equivalent units of pressure

WORKING PRESSURE

Steady : 75% of FSD
Fluctuating : 66% of FSD
Short Time : FSD

OPERATING TEMPERATURE

Ambient : -40 to 60°C without liquid filling
-20 to 60°C gauge with glycerine filling
Medium : 80°C max.

TEMPERATURE EFFECT

When temperature of the pressure element deviates from reference temperature (+30°C) : Max. ±0.4% / 10K of true scale value

**PRIMARY SENSING ELEMENT**

Diaphragm, SS316 / SS316 PTFE coated

UPPER DIAPHRAGM HOUSING

SS304

TENSION FLANGE

SS304

SEAL FLUID

Silicon oil

SECONDARY SENSING ELEMENT

Bourdon tube, SS316L

MOVEMENT

SS304, SS316

DIAL

Off-white aluminum with black / red lettering

POINTER

Black aluminum, Zero-adjustment pointer

CASE & BEZEL

Case & Bezel : SS304 Bayonet type

INGRESS PROTECTION

IP68 per IS/IEC 60529:2001

BOD (VENT PLUG)

Neoprene

DAMPING LIQUID

Glycerine 99.7%

PROCESS CONNECTION

Material : SS316 / SS304
 Standard flange : ASME B16.5 (ANSI)
 Size : All sizes as per standard

EXTENSION CAPILLARY

Flexible stainless steel armored capillary assembly with flush mounting bracket / surface mounting flange



Standard lengths of capillary : 1.5mtr, 3mtr and 5mtr

WINDOW

Toughened glass

MOUNTING

NS 100 & 150mm

Direct Bottom (20)
 Back Eccentric Mount (30)

NS 250mm

Direct Bottom (20)

OPTIONAL EXTRA

- Other process connection, DIN, BS, JIS (contact factory)
- Other lengths of capillary
- Silicon oil filling
- Alarm contacts see model EOC.XXX

ACCESSORIES



ADAPTORS



PULSATION DAMPENER



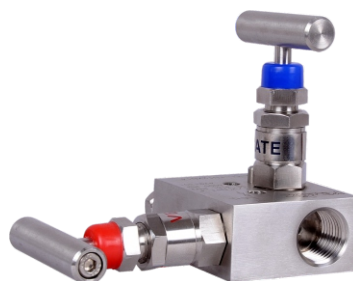
ISOLATION VALVE



GAUGE COCK



GAUGE SAVER

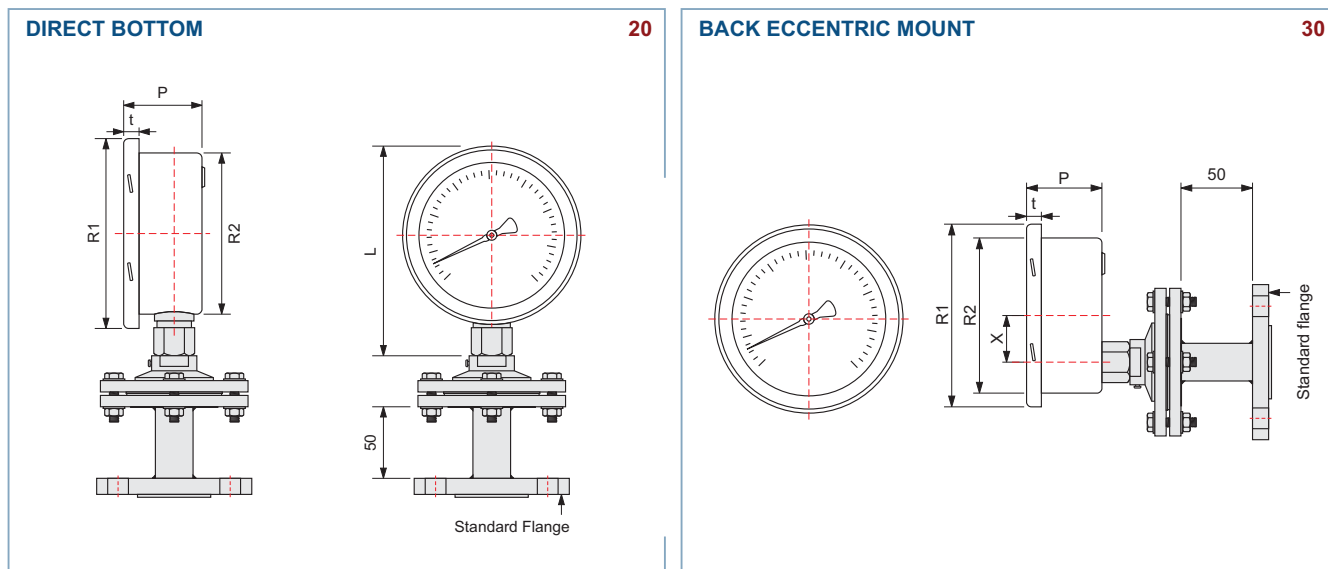


MANIFOLD VALVE



SYPHON

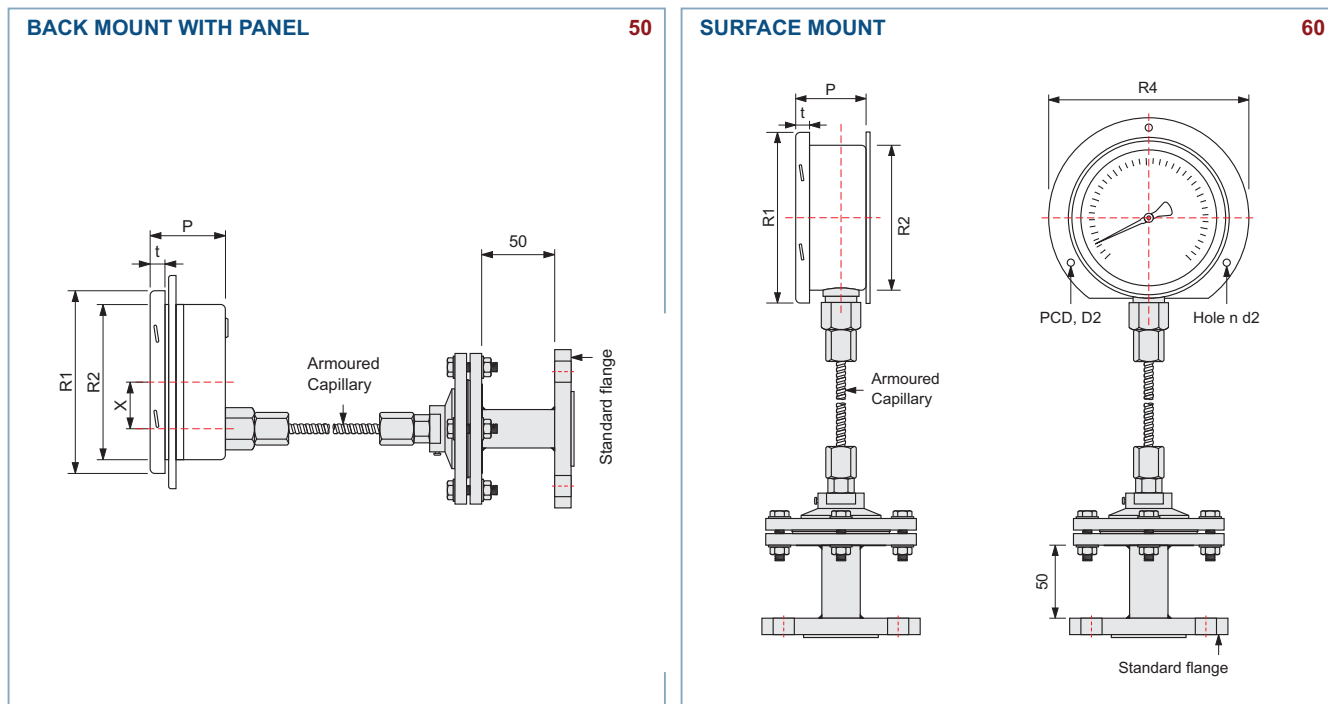
A. DIRECT MOUNTING



DIAL SIZE	R1	R2	t	P	L	X
100	110	100	15	50	126	30
150	165	150	15	50	181	48
250	270	250	15	50	286	-

*All dimensions are in mm

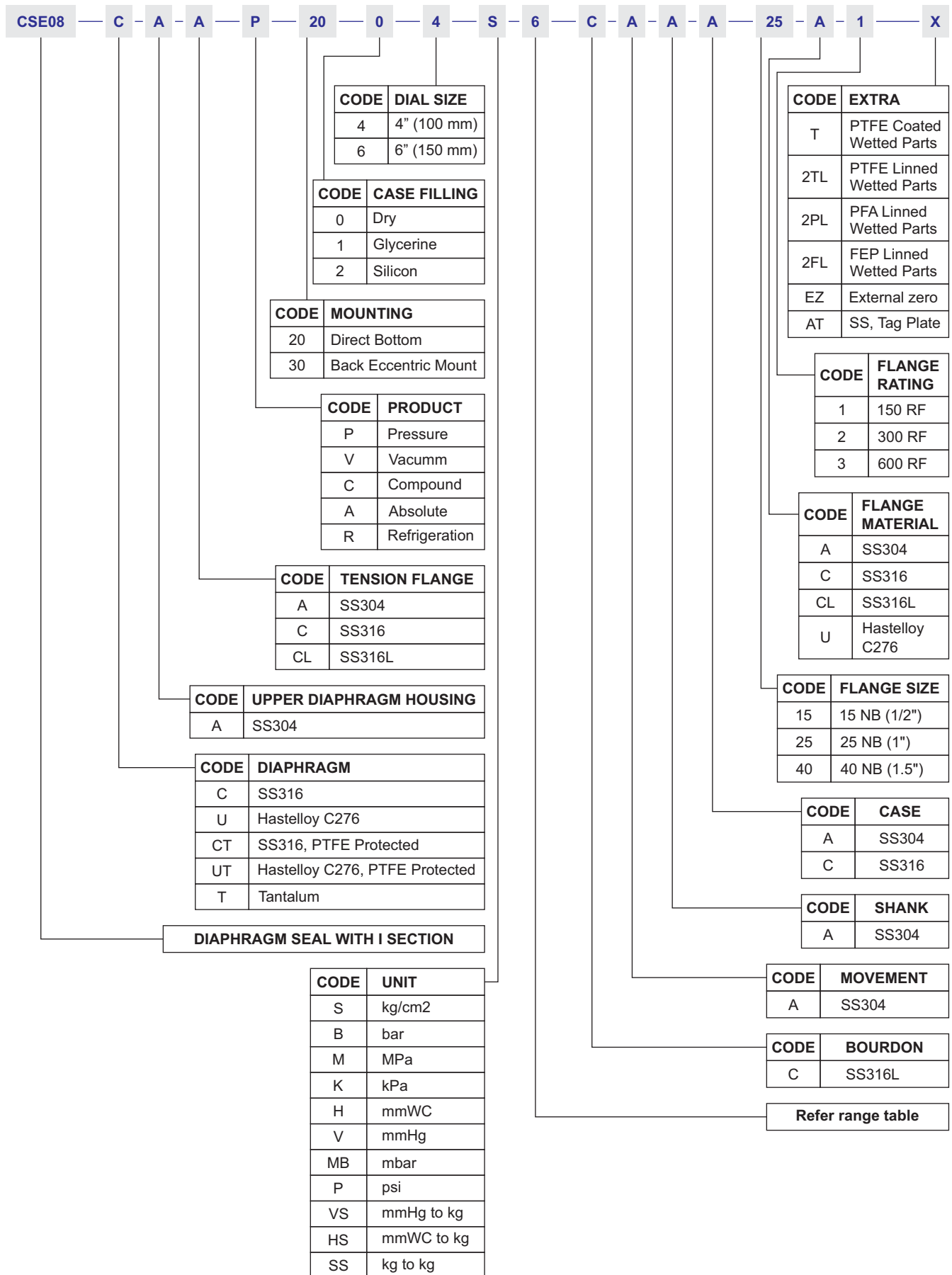
B. REMOTE MOUNTING WITH CAPILLARY



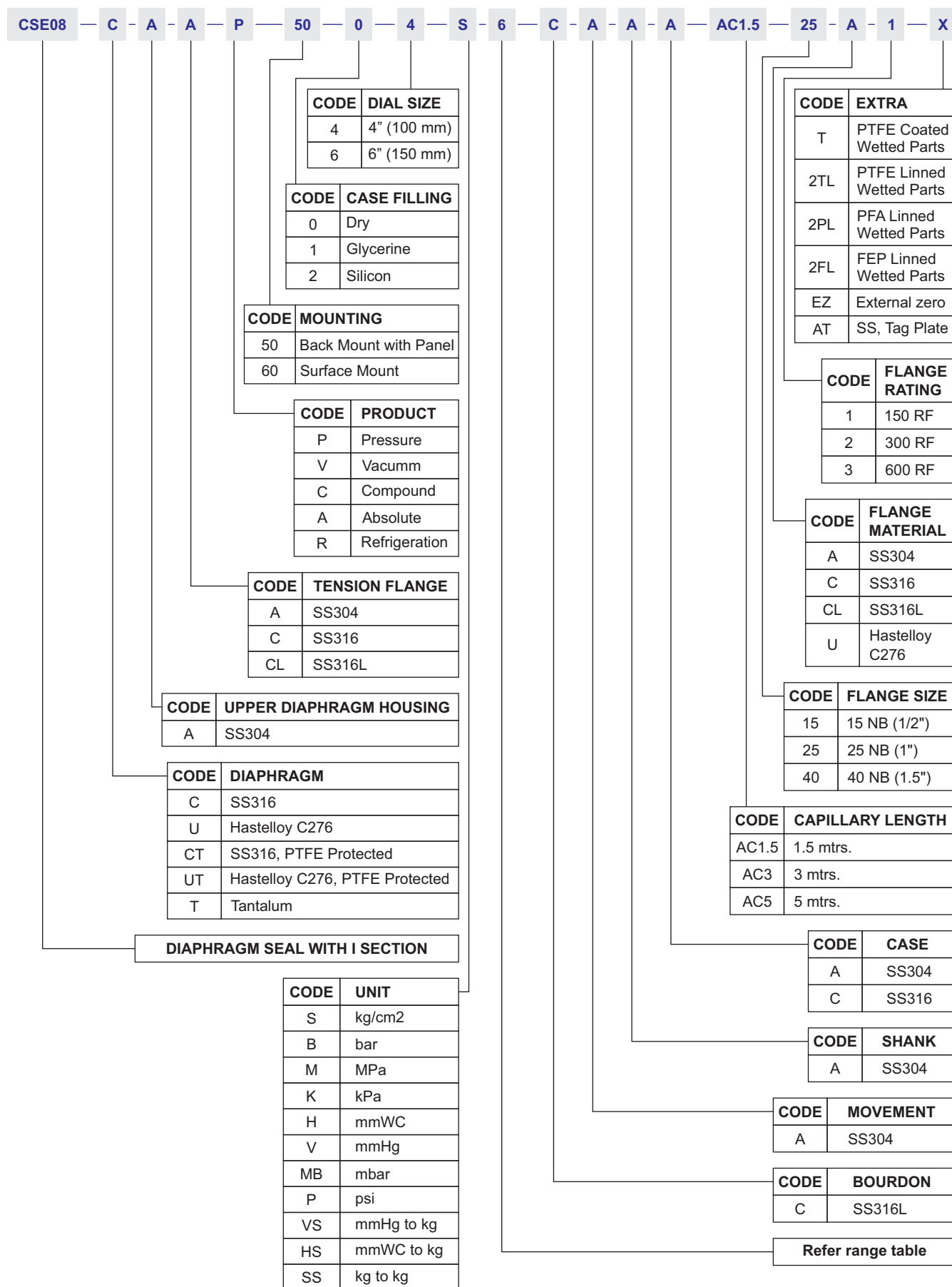
DIAL SIZE	R1	R2	t	P	L	X	R4	D2	d2
100	110	100	15	50	126	30	128	116	5.4
150	165	150	15	50	181	48	198	171	5.4
250	270	250	15	50	286	-	-	-	-

*All dimensions are in mm

HOW TO ORDER - WITHOUT CAPILLARY



HOW TO ORDER - WITH CAPILLARY



STANDARD RANGES & LEAST COUNT

CODE	RANGE	LEAST COUNT
(SINGLE SCALE)		
S1	0 to 1 kg/cm ²	0.01 kg/cm ²
S1.6	0 to 1.6 kg/cm ²	0.02 kg/cm ²
S2	0 to 2 kg/cm ²	0.05 kg/cm ²
S2.5	0 to 2.5 kg/cm ²	0.05 kg/cm ²
S4	0 to 4 kg/cm ²	0.1 kg/cm ²
S6	0 to 6 kg/cm ²	0.1 kg/cm ²
S10	0 to 10 kg/cm ²	0.1 kg/cm ²
S16	0 to 16 kg/cm ²	0.2 kg/cm ²
S20	0 to 20 kg/cm ²	0.5 kg/cm ²
S25	0 to 25 kg/cm ²	0.5 kg/cm ²
S40	0 to 40 kg/cm ²	1 kg/cm ²
S60	0 to 60 kg/cm ²	1 kg/cm ²
S100	0 to 100 kg/cm ²	1 kg/cm ²
S160	0 to 160 kg/cm ²	2 kg/cm ²
S200	0 to 200 kg/cm ²	5 kg/cm ²
S250	0 to 250 kg/cm ²	5 kg/cm ²

CODE	RANGE	LEAST COUNT
(DUAL SCALE)		
D1.06	0 to 1.06 kg/cm ² (15psi)	0.02 kg/cm ² (0.2psi)
D2.1	0 to 2.1 kg/cm ² (30psi)	0.05 kg/cm ² (0.5psi)
D2.8	0 to 2.8 kg/cm ² (40psi)	0.05 kg/cm ² (0.5psi)
D3.5	0 to 3.5 kg/cm ² (50psi)	0.1 kg/cm ² (1psi)
D4.2	0 to 4.2 kg/cm ² (60psi)	0.1 kg/cm ² (1psi)
D7	0 to 7 kg/cm ² (100psi)	0.1 kg/cm ² (1psi)
D10.6	0 to 10.6 kg/cm ² (150psi)	0.2 kg/cm ² (2psi)
D14	0 to 14 kg/cm ² (200psi)	0.2 kg/cm ² (2psi)
D21	0 to 21 kg/cm ² (300psi)	0.5 kg/cm ² (5psi)
D28	0 to 28 kg/cm ² (400psi)	0.5 kg/cm ² (5psi)
D35	0 to 35 kg/cm ² (500psi)	1 kg/cm ² (10psi)
D42	0 to 42 kg/cm ² (600psi)	1 kg/cm ² (10psi)
D70	0 to 70 kg/cm ² (1000psi)	1 kg/cm ² (10psi)
D106	0 to 106 kg/cm ² (1500psi)	2 kg/cm ² (25psi)
D140	0 to 140 kg/cm ² (2000psi)	2 kg/cm ² (20psi)
D210	0 to 210 kg/cm ² (3000psi)	5 kg/cm ² (50psi)
D280	0 to 280 kg/cm ² (4000psi)	5 kg/cm ² (50psi)