

Liquid filled thermometer made of thermal system filled with liquid is having accuracy and low ambient error.

Liquid filling makes it suitable for use in food and pharmaceutical industry.

Available with thermowells having different diameters, lengths and process connections.

The main advantage is its min. immersion length required for sensing (for lower line size)

FEATURES

- Fast Response
- Suitable for sanitary application
- All SS construction
- Rigid stem or Capillary type
- Non - polluting, environment friendly
- Non - hazardous
- Accuracy as per EN13190:2001
- Case compensation to SAMA class VB
- Use of Silicon oil (FDA)



SPECIFICATIONS

- Ref. Standard : ASME B40.200, EN 13190
- System : Liquid Filled, case compensated in accordance with SAMA CI, III B
- Dial : 100 & 150 mm
- Case : SS304, Bayonet type, Weatherproof to IP68
- Window : Toughened glass or Polycarbonate (for contact type gauges)
- Pointer : Zero adjustment aluminum pointer, Black
- Stem : SS316 in 6mm, 8 mm & 10 mm as standard
- Capillary : SS covered / SS covered + PVC / SS covered + SS Armoured / SS covered / SS Armoured + PVC (up to 3 mtr)
- Connection : 1/2" NPT (M), adjustable three piece compression fitting in SS304 or SS316
- Range : -400°C to 200°C with span of 50°C
- Accuracy : Class 1 as per EN13190

OPTIONAL

- Glycerine oil filled case
- Silicon oil filled case
- Electrical contact (1NO + 1NC)

- Note :**
- 1) For minimum insertion length essential for proper sensing contact our design department
 - 2) Three point calibration certification accompanies each thermometer
 - 3) For operating temp. 600°C, stem of SS310 / Inconel 600 shall be recommended.
 - 4) SS316 case & bezel.

Immersion varies as per model - Hence not mentioned in chart *

LIQUID FILLED EN13190:2001

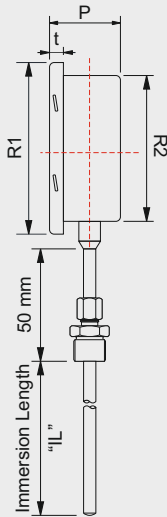
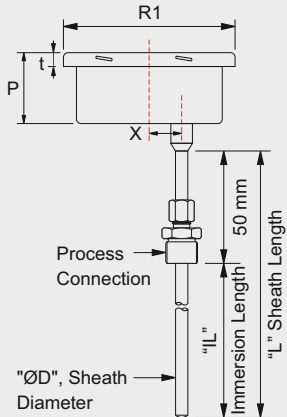
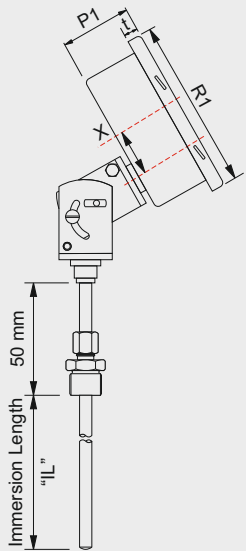
NOMINAL RANGES (°C)	ERROR +/- °C	LEAST COUNT	MIN IMMERSION LENGTH (mm)		
			(SHEATH DIAMETER)		
	CLASS 1		6mm	8mm	10mm
-20 to 40	2	1	105	95	85
-20 to 60	2	1	90	80	70
-20 to 120	4	1	55	50	45
-30 to 30	2	1	105	95	85
-30 to 50	2	1	90	80	70
-30 to 70	2	1	75	65	55
-40 to 40	2	1	90	80	70
-40 to 60	2	1	75	65	55
0 to 60	2	1	105	95	85
0 to 80	2	1	90	80	70
0 to 100	2	1	75	65	55
0 to 120	4	2	65	60	55
0 to 160	4	2	55	50	45
0 to 200	4	2	50	45	40

ELECTRICAL CONTACT

Type : Magnetic snap action contact
 Rated : Max. 250V, 1Amp
 Capacity : 30Watt, 50VA
 Function : 1NC + 1NO
 Termination : Square terminal box
 Accessories : Round key
 (for adjusting contact arms)



A. DIRECT MOUNTING

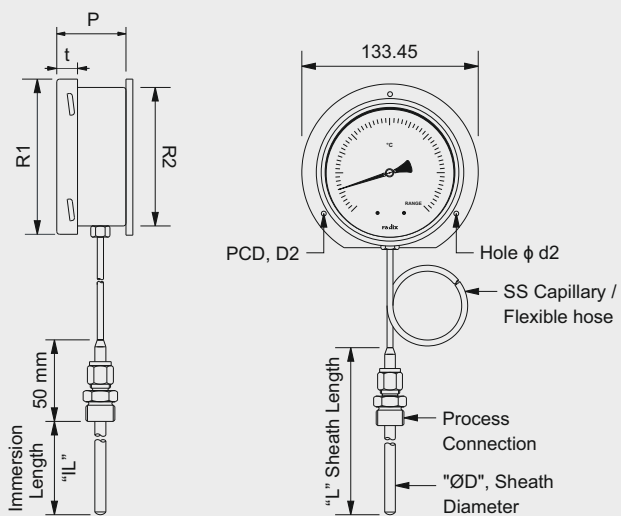
Direct Bottom	20	Back Eccentric Mount	30	ALL ANGLE	11
					

DIAL SIZE	R1	R2	t	P	X
100	110	100	15	50	30
150	165	150	15	50	48

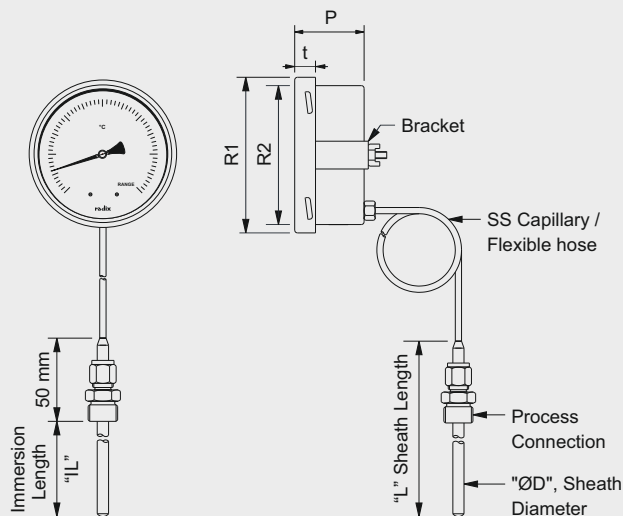
*All dimensions are in mm

B. REMOTE MOUNTING WITH CAPILLARY

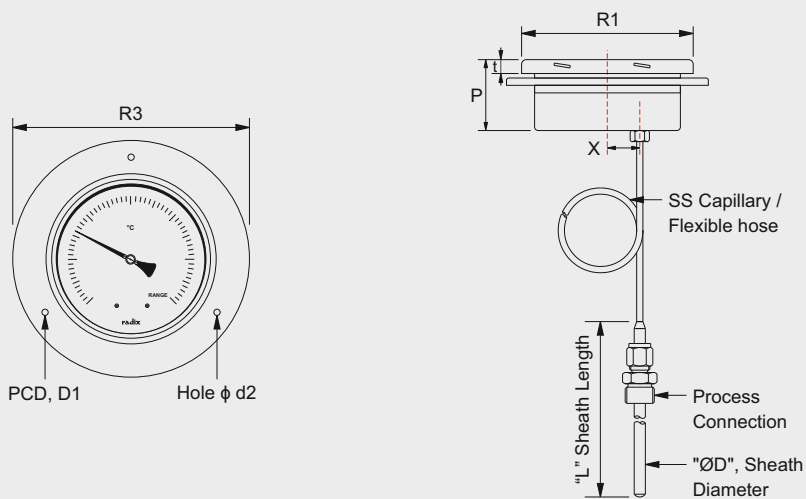
Surface Mount 60



Flush Panel With Bracket 40



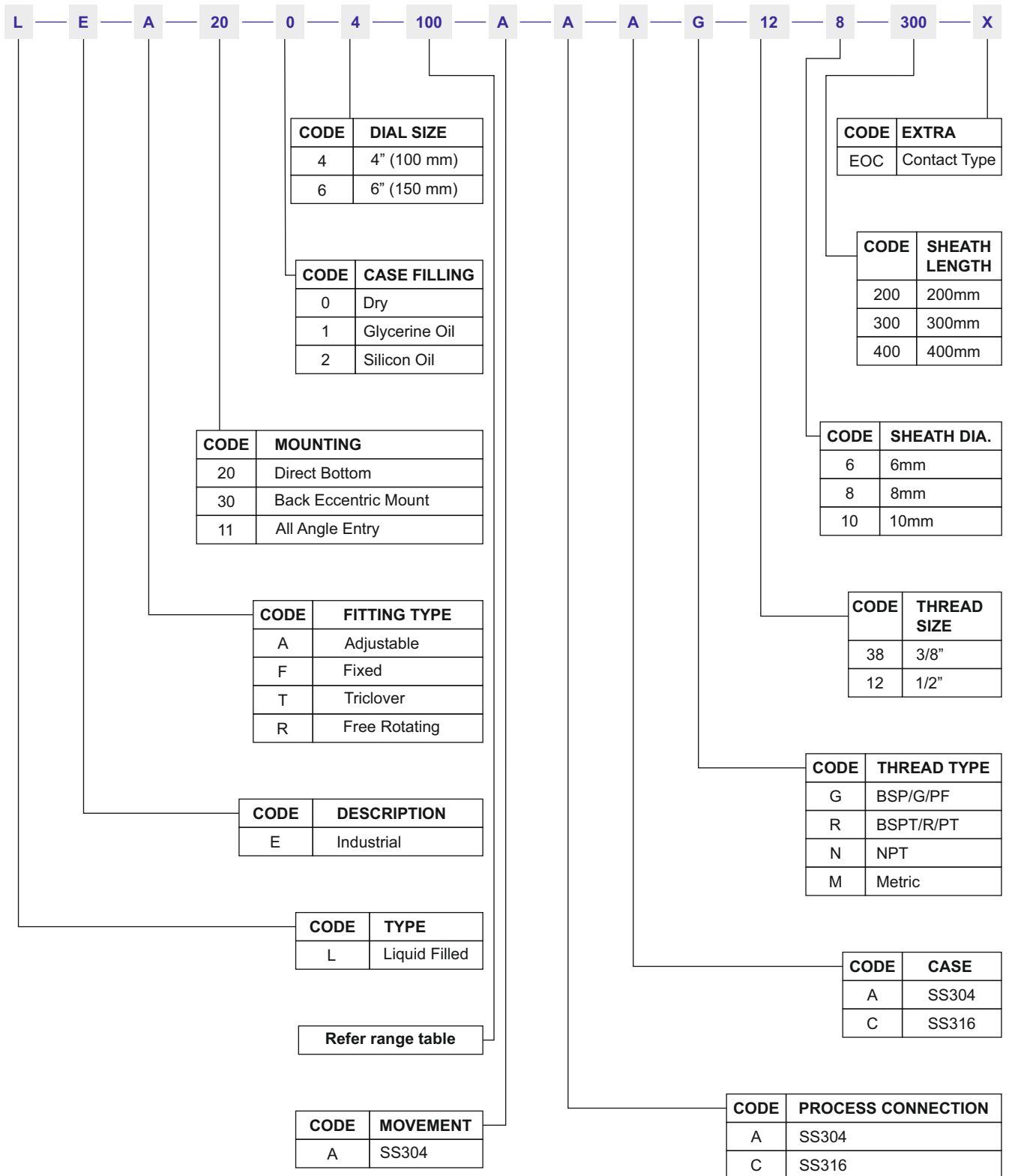
Back Mount With Panel 50



DIAL SIZE	R1	R2	t	P	X	R4	D2	d2
100	110	100	15	50	30	128	116	5.4
150	165	150	15	50	48	198	171	5.4

*All dimensions are in mm

HOW TO ORDER



HOW TO ORDER

