

Bimetal Thermometers have coiled bimetal as temperature element, enables measurement of temperature from -40°C to 400°C

Use of thermowell is recommended for applications where stem of the bimetal thermometer may be exposed to high velocity, pressure or corrosive fluid also use of thermowell permits instrument interchange without disturbing or shutting down the process .

FEATURES

- All stainless steel construction
- Scale range from -40°C upto 400°C
- White dial with black markings
- Accuracy as per EN13190
- IP68 as per IS/IEC 60529:2001

SPECIFICATIONS

STANDARD FEATURES

- Measuring element : Coiled Bimetal
- Nominal dial size : NS 100 and 150mm
- Accuracy : As per EN13190:2001
- Range : -40°C to 400°C
- Case & Bezel : SS304, Bayonet type, Weatherproof to IP68

STEM

- Material : SS316
- Diameter : 6mm / 8mm / 10mm
- Stem length : Upto 400mm (300mm standard)
- Pointer : Micro adjustment pointer, Aluminum
- Window : Toughned glass

MOUNTING

- Bottom / Radial / Lower entry
- Back
- All / Every angle entry

PROCESS CONNECTION

- Material : SS304 / SS316 / SS316L
- Size connection : 1/2" BSP / NPT (M), Adj. compression fitting

OPTIONAL

- Thermowell
- Fixed / Free rotating threaded connection
- Flanged / Sanitary end connection
- Accuracy as per EN13190
- External zero pointer adjustment
- SS316L Stem
- SS316 Process connections



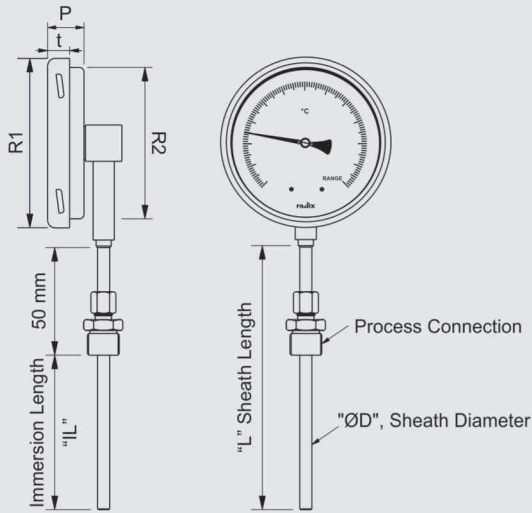
APPLICATIONS

- Pharmaceutical, Chemical, Oil and Gas, Energy petrochemical industry and Waste water
- Power engineering
- Machinery and general plant construction

NOMINAL RANGES (°C)	ERROR	LEAST COUNT	MIN IMMERSION LENGTH (mm)		
	-/+ °C		(SHEATH DIAMETER)		
	CLASS 1		6mm	8mm	10mm
-20 to 40	1	1	105	95	85
-20 to 60	1	1	90	80	70
-20 to 120	2	2	55	50	45
-30 to 30	1	1	105	95	85
-30 to 50	1	1	90	80	70
-30 to 70	1	1	75	65	55
-40 to 40	1	1	90	80	70
-40 to 60	1	1	75	65	55
0 to 60	1	1	105	95	85
0 to 80	1	1	90	80	70
0 to 100	1	1	75	65	55
0 to 120	2	2	65	60	55
0 to 160	2	2	55	50	45
0 to 200	2	2	50	45	40
0 to 250	2.5	5	70	60	50
0 to 300	5	5	80	60	50
0 to 400	5	5	100	80	60

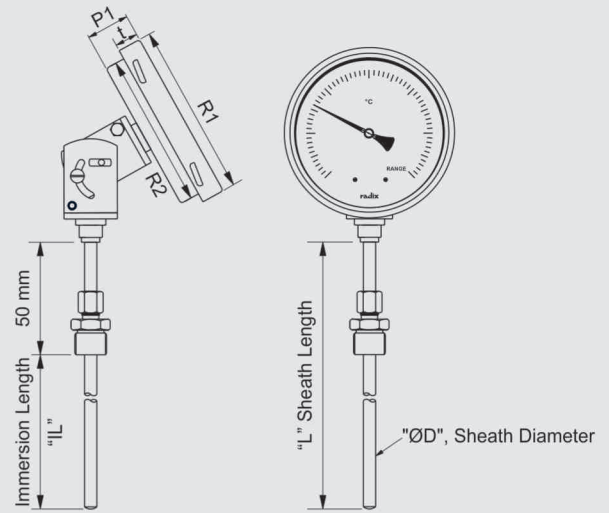
DIRECT BOTTOM

20



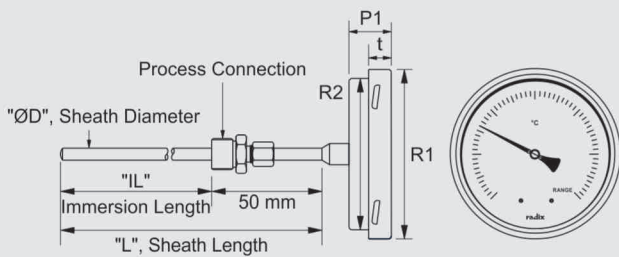
ALL ANGLE ENTRY

11



BACK DIRECT ENTRY, CENTRIC

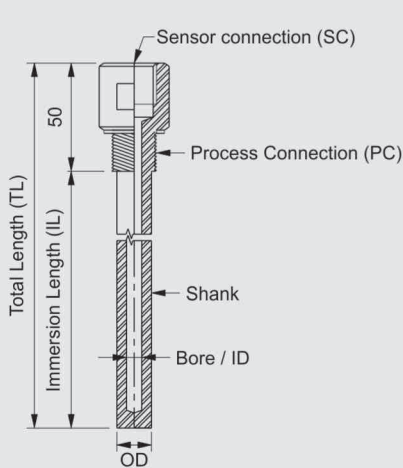
80



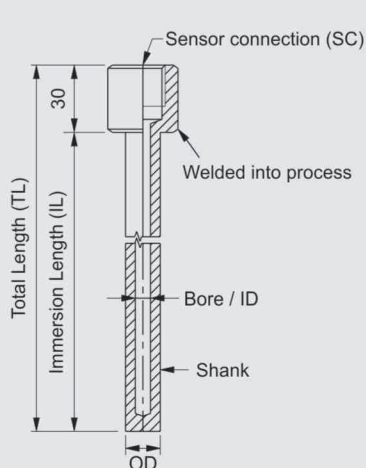
DIAL SIZE	R1	R2	t	P	P1
100	110	100	15	50	25
150	165	150	15	50	25

*All dimensions are in mm

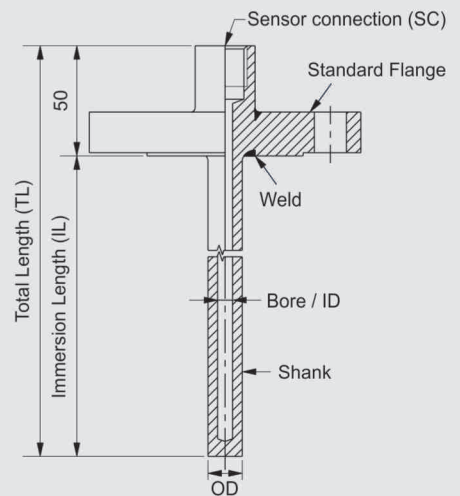
THERMOWELLS



THREADED



WELD-ON / WELD-STOCK



FLANGED

HOW TO ORDER

