

**INDUSTRIAL AND PROCESS APPLICATIONS****MODEL : LPA12 SERIES**

Designed for low pressure measurement of non-corrosive gases, commercial heating, gas distribution and filtration system.

**SPECIAL FEATURES**

- Low pressure economy version.
- Element made of SS316 diaphragm.
- Weather proof to IP67 per IS/IEC 60529:2001
- Scale ranges upto 0...6000 mmWC.

**DESIGN**

EN837-1

**NOMINAL DIAL SIZE**

150 and 250 mm

**ACCURACY**

As per EN837-1

**SCALE RANGES**

0...600 / 1000 / 1600 / 2000 / 2500 / 4000 / 6000 mmWC.  
or other equivalent units of pressure & vacuum.

**WORKING PRESSURE**

**Steady** : 75% of FSD  
**Fluctuating** : 50% of FSD  
**Short Time** : FSD

**OPERATING TEMPERATURE**

**Ambient** : -20 to 60°C  
**Medium** : 100°C Max.

**TEMPERATURE EFFECT**

When temperature of the pressure element deviates from reference temperature (+30°C)

**PRESSURE ELEMENT**

Diaphragm SS316, Teflon Coated

**UPPER DIAPHRAGM HOUSING**

SS304

**LOWER DIAPHRAGM HOUSING**

SS304 / SS316

**SEALING ARGON ARC WELDED**

Asbestos

**DIAL**

Off-white aluminium with black lettering

**POINTER**

Micro Adjust Pointer, Aluminium

**CASE & BEZEL**

SS304 Bayonet Type

**INGRESS PROTECTION**

IP67 per IS / IEC 60529:2001

**WINDOW**

Toughened glass

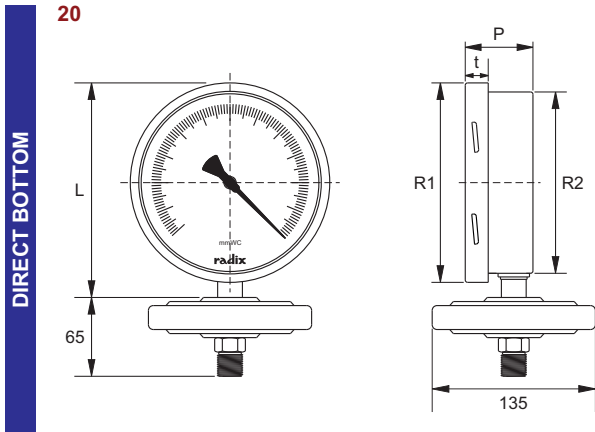
**PROCESS CONNECTION**

**Material** : SS316 / SS304  
**Standard Thread** : 3/8" or 1/2" BSP/NPT

**MOUNTING**

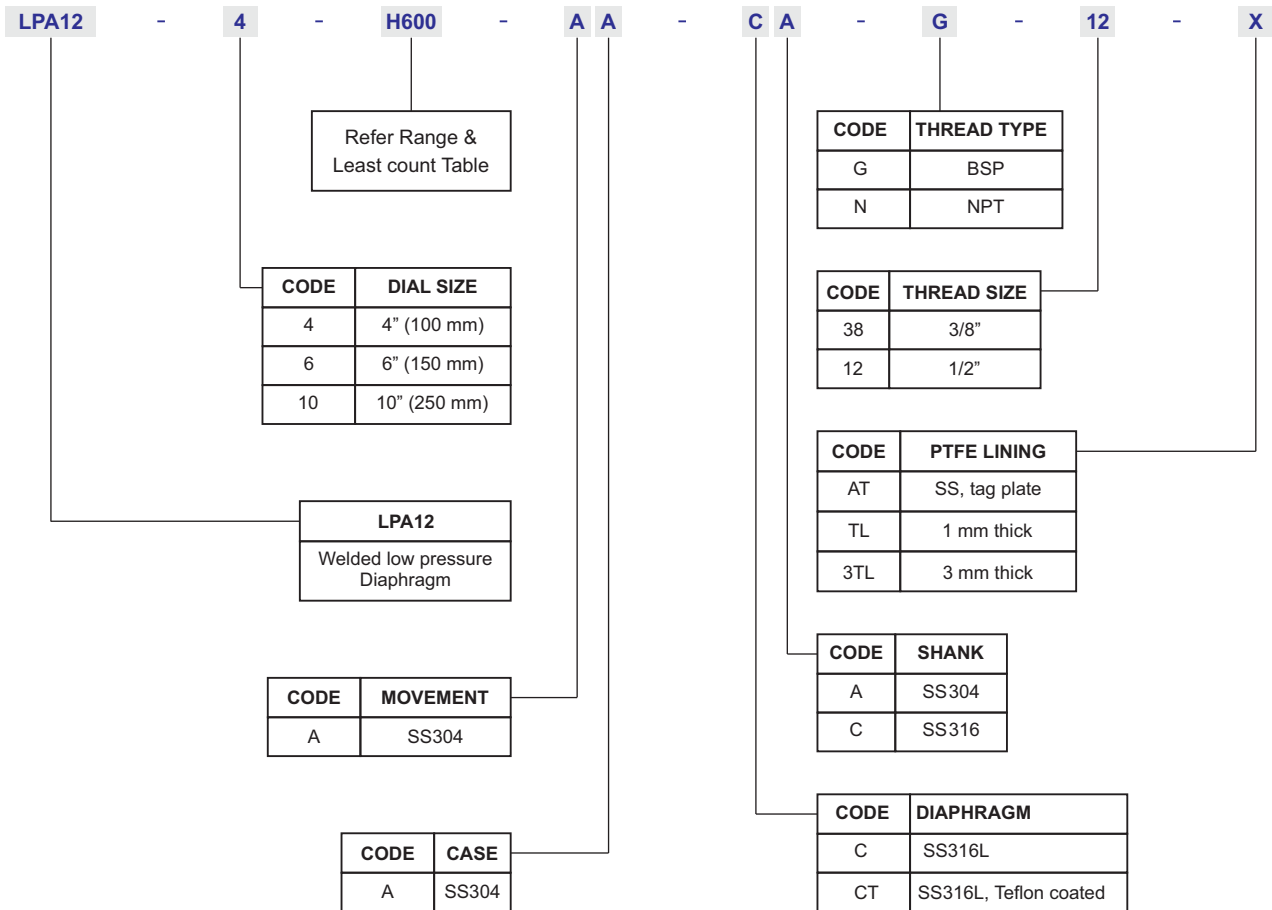
Direct Bottom (20)

**DIMENSIONS**



DIAL SIZE	R1	R2	t	P	L
150	165	150	15	50	181
250	270	250	15	50	286

**HOW TO ORDER**



All dimensions are in mm, unless otherwise specified.