

## APPLICATIONS

Temperature measurement in food, dairy, pharmaceutical & chemical processes where contamination / cleanliness is of great concern

## FEATURES

- Pt-100, 3-wire Single / Dual circuit, Class A accuracy
- 6mm sheath dia (straight)
- Wetted parts made of SS316L (1.4404)
- Flameproof dia cast aluminum terminal head (IP68)
- Roughness value (Ra)  $\leq 0.8 \mu\text{m}$  and  $\leq 0.51 \mu\text{m}$  for non wetted and wetted parts respectively
- Operating pressure 10 bar
- Temperature range - ambient,  $-50\dots+85^\circ\text{C}$
- Temperature range - sensors tip,  $-50\dots+250^\circ\text{C}$
- Head mounted transmitter with 4-20mA output, ATEX certified

## OPTIONS

- Pt-100, 4-wire
- Custom sheath diameters
- 2 x Pt-100
- Class AA ( $\frac{1}{3}$  B) accuracy
- Reduced tip for fast response
- Surfaces with  $Ra \leq 0.38 \mu\text{m}$  for wetted parts
- ATEX, IECEx certified heads
- Electropolished SS316 terminal head
- Cable glands
- Fixing clamps, SS304
- EPDM gaskets, FDA approved
- Silicon rubber gaskets, Phthalate free & FDA approved
- Retrofittable elements

## ACCURACY OF Pt100 AS PER IEC 60751

Pt100	A ( $\frac{1}{2}$ B)	AA ( $\frac{1}{3}$ B)
0°C (100Ω)	$\pm 0.15^\circ\text{C} / \pm 0.06\Omega$	$\pm 0.1^\circ\text{C} / \pm 0.04\Omega$
100°C (138.5Ω)	$\pm 0.35^\circ\text{C} / \pm 0.13\Omega$	$\pm 0.27^\circ\text{C} / \pm 0.1\Omega$

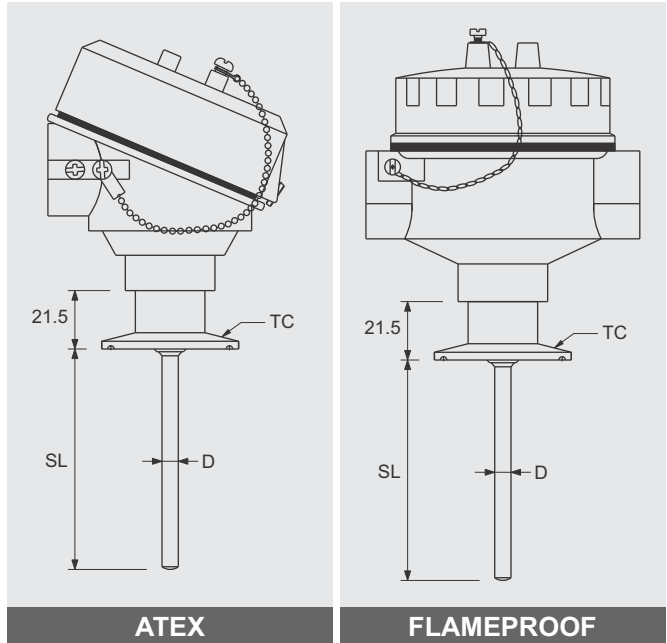
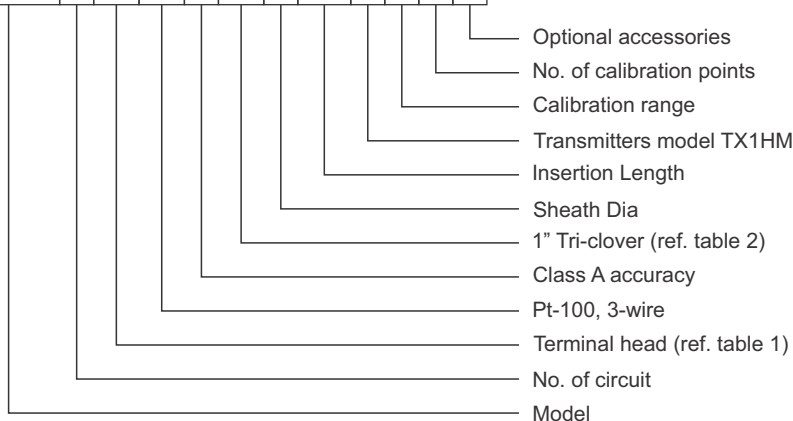
## RESPONSE TIME

Tip Dia.	Imm. Length	T <sub>0.5</sub>	T <sub>0.9</sub>
6 mm	100 mm	4 s	9 s

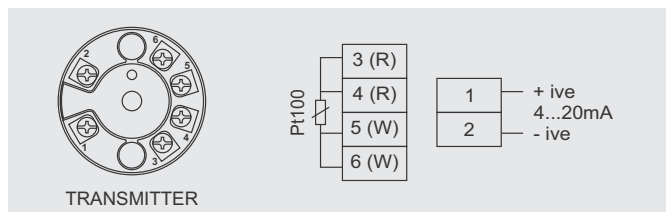
T<sub>0.5</sub> and T<sub>0.9</sub> shows the response times at 50% and 90% of the step change. This data is measured by immersing the sensing bulb from ambient temperature to boiling water flowing at 0.4 m/sec. The result may vary according to the measuring environment and condition.

## HOW TO ORDER

RXS610	S	F1	A3	A	25	6	100	A	X	X	X
--------	---	----	----	---	----	---	-----	---	---	---	---



## CIRCUIT DIAGRAM



## TERMINAL HEAD (TABLE 1)

CODE	TYPE
F1	FLP, AL, Zone 1, 2 / Gas Gr, IIB, single cable entry
F2	FLP, AL, Zone 1, 2 / Gas Gr, IIB, dual cable entry
F3	FLP, AL, Zone 1, 2 / Gas Gr, IIC, single cable entry
FA	FLP, AL, Zone 1, 2 / Gas Gr, IIB, SS304, single cable entry
FC	FLP, AL, Zone 1, 2 / Gas Gr, IIB, SS316, single cable entry
AL	ATEX / IECEx, Aluminum, single cable entry
AC	ATEX / IECEx, SS316, single cable entry

## PROCESS CONNECTION (TABLE 2)

CODE	TRI-CLOVER SIZE
12	1/2"
19	3/4"
25	1"
50	2"
63	2.5"
75	3"

## TERMINATION (TABLE 3)

CODE	TYPE
FL	Flying leads
TB	Terminal block