

## APPLICATIONS

Temperature measurement in food, dairy, pharmaceutical & chemical processes where contamination/ cleanliness is of great concern

## FEATURES

- Pt100 3 wire Single / Dual circuit, Class A accuracy
- 6mm sheath dia (straight)
- Wetted parts made of SS316L (1.4404)
- Flameproof dia cast aluminum terminal head (IP68)
- Roughness value (Ra) ≤ 0.8 μm and ≤ 0.51 μm for non wetted and wetted parts respectively
- Operating pressure 10 bar
- Temperature range - ambient, -50... +85°C
- Temperature range - sensors tip, -50...+250°C

## OPTIONS

- Pt-100, 4-wire
- Custom sheath diameters
- 2 x Pt100
- Class AA (½ B) accuracy
- Reduced tip for fast response
- Surfaces with Ra ≤ 0.38 μm for wetted parts
- Head mounted transmitters
- ATEX, IECEx certified heads
- Electropolished SS316 terminal head
- Cable glands
- Fixing clamps, SS304
- EPDM gaskets, FDA approved
- Silicon rubber gaskets, Phthalate free & FDA approved
- Retrofittable elements

## ACCURACY OF Pt100 AS PER IEC 60751

Pt100	A (½B)	AA (½B)
0°C (100Ω)	±0.15°C/±0.06Ω	±0.1°C/±0.04Ω
100°C (138.5Ω)	±0.35°C/±0.13Ω	±0.27°C/±0.1Ω

## RESPONSE TIME

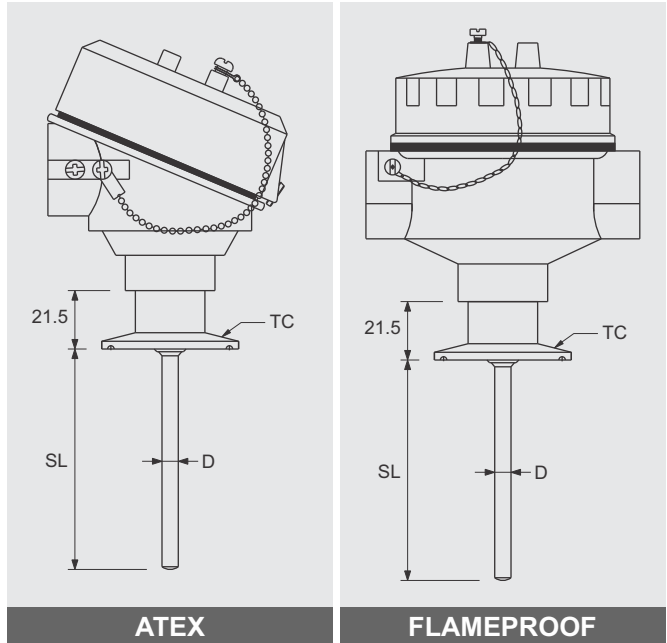
Tip Dia.	Imm. Length	T <sub>0.5</sub>	T <sub>0.9</sub>
6 mm	100 mm	4 s	9 s

T<sub>0.5</sub> and T<sub>0.9</sub> shows the response times at 50% and 90% of the step change. This data is measured by immersing the sensing bulb from ambient temperature to boiling water flowing at 0.4 m/sec. The result may vary according to the measuring environment and condition.

## HOW TO ORDER

RXS600	S	F1	A3	A	25	6	100	X	X	X
--------	---	----	----	---	----	---	-----	---	---	---

Optional accessories  
 No. of calibration points  
 Termination (ref. table 3)  
 Insertion Length  
 Sheath Dia  
 1" Tri-clover (ref. table 2)  
 Class A accuracy  
 Pt 100, 3 wire  
 Terminal head (ref. table 1)  
 No. of circuit  
 Model



## CIRCUIT DIAGRAM



## TERMINAL HEAD (TABLE 1)

CODE	TYPE
F1	FLP, AL, Zone 1, 2 / Gas Gr, IIB, single cable entry
F2	FLP, AL, Zone 1, 2 / Gas Gr, IIB, dual cable entry
F3	FLP, AL, Zone 1, 2 / Gas Gr, IIC, single cable entry
FA	FLP, AL, Zone 1, 2 / Gas Gr, IIB, SS304, single cable entry
FC	FLP, AL, Zone 1, 2 / Gas Gr, IIB, SS316, single cable entry
AL	ATEX / IECEx, Aluminum, single cable entry
AC	ATEX / IECEx, SS316, single cable entry

## PROCESS CONNECTION (TABLE 2)

CODE	TRI-CLOVER SIZE
12	1/2"
19	3/4"
25	1"
50	2"
63	2.5"
75	3"

## TERMINATION (TABLE 3)

CODE	TYPE
FL	Flying leads
TB	Terminal block