

## COMPACT RTD SENSORS

- Pt-100, 4-wire
- Class A accuracy as standard
- -50...+200°C measuring range
- 6mm sheath diameter
- M12 connector with IP69K for electrical connection
- Variable insertion lengths from 50mm onwards
- AISI 316L (1.4404) sheath
- G½", G¼", ¼"NPT & ½"NPT adjustable fittings, SS316L
- Surface finish : Ra ≤ 0.51µm for wetted surfaces
- Temperature range (ambient) : -40...+80°C

## OPTIONAL

- Class AA (Y)\*\*
- Dual element
- Pt-500 / 1000, 2 / 3 / 4-wire
- Connecting cable 5 meter long
- Cable sockets (BAS / BSS)
- -50...+250°C range
- Surface finish Ra ≤ 0.38µm

## RESPONSE TIME

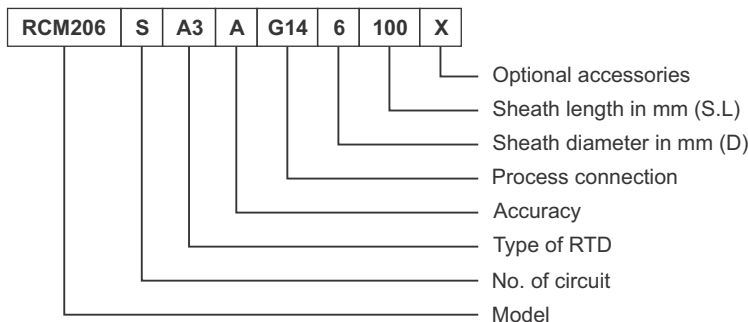
Tip Dia.	Imm. Length	T <sub>0.5</sub>	T <sub>0.9</sub>
6 mm	100 mm	4 s	9 s

T<sub>0.5</sub> and T<sub>0.9</sub> shows the response times at 50% and 90% of the step change. This data is measured by immersing the sensing bulb from ambient temperature to boiling water flowing at 0.4 m/sec. The result may vary according to the measuring environment and condition.

## M12 SOCKET WITH CABLE

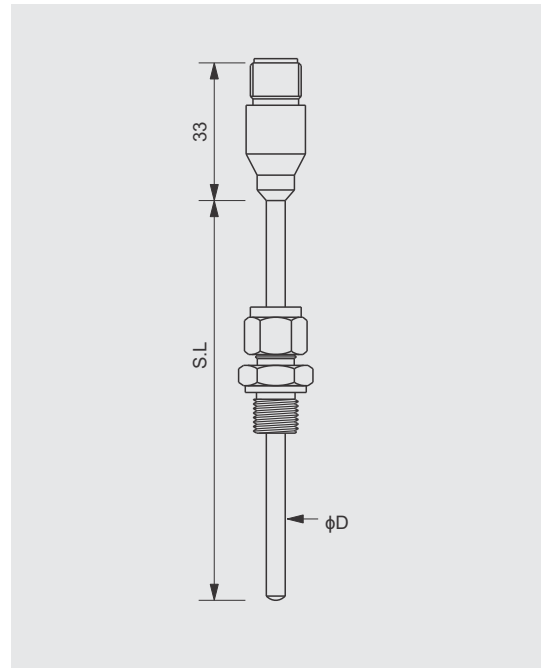
Order Code	Description
BS5	Straight, M12, 5M PVC integral cable
BA5	Angular, M12, 5M PVC integral cable
BSS-4PF5	Straight, M12 socket + 5M. 4 core PFA cable
BAS-4PF5	Angular, M12 socket + 5M. 4 core PFA cable
BSS-8PF5	Straight, M12 socket + 5M. 8 core PFA cable
BAS-8PF5	Angular, M12 socket + 5M. 8 core PFA cable
BSS-4Si5	Straight, M12 socket + 5M. 4 core PFA / Si Rubber cable
BAS-4Si5	Angular, M12 socket + 5M. 4 core PFA / Si Rubber cable
BSS-8Si5	Straight, M12 socket + 5M. 8 core PFA / Si Rubber cable
BAS-8Si5	Angular, M12 socket + 5M. 8 core PFA / Si Rubber cable

## HOW TO ORDER



\*\* Class AA : ± 0.1°C / ± 0.04Ω at 0°C

Abbreviations : D - Sheath Dia, SL - Sheath Length



## ADJUSTABLE COMPRESSION FITTINGS

Thread	G¼"	G½"	¼"NPT	½"NPT
Code	G14	G12	N14	N12

## ELECTRICAL CONNECTION

