

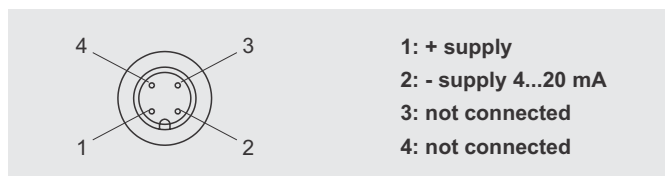
COMPACT RTD SENSORS WITH TRANSMITTER

- Integrated 4-20 mA transmitter
- Ranges from -50...+200°C
- Supply : 8...35VDC
- Accuracy : $\pm 0.1\%$ of measurement range *
- Accuracy of RTD (Pt100) : Class A accuracy as standard
- Standard ranges : -10...+40°C, 0...200°C
- AISI 316L (1.4404) sheath
- G $\frac{1}{2}$ ", G $\frac{1}{4}$ ", $\frac{1}{4}$ "NPT & $\frac{1}{2}$ "NPT adjustable fittings, SS316L
- Surface finish : Ra $\leq 0.51\mu\text{m}$
- M12 connector with IP69K for electrical connections
- Variable insertion lengths from 80mm onwards
- Temperature range (ambient) : -40...+80°C

OPTIONAL

- Class AA (Y)**
- Connecting cable 5 meter long
- Cable sockets (BAS / BSS)
- Surface finish Ra $\leq 0.38\mu\text{m}$

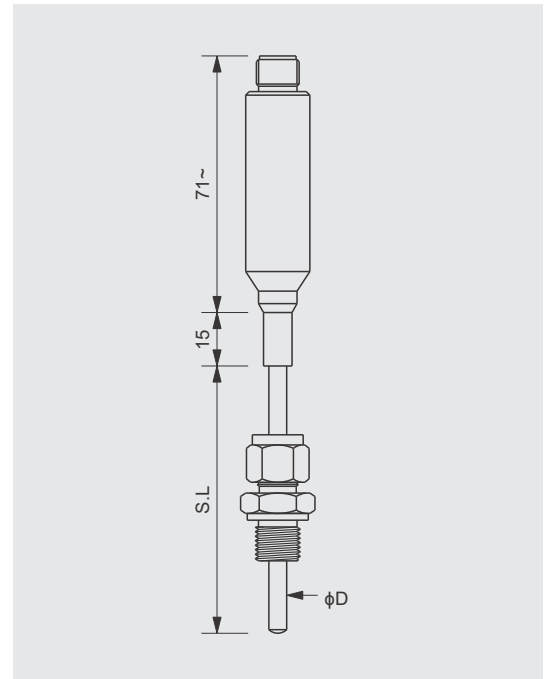
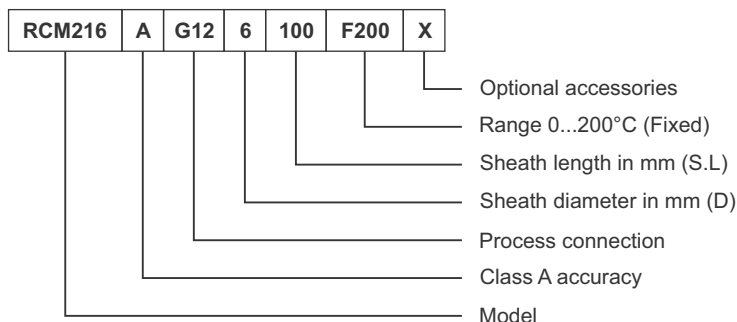
ELECTRICAL CONNECTION



M12 SOCKET WITH CABLE

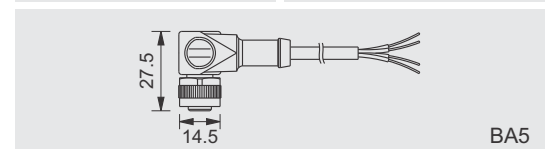
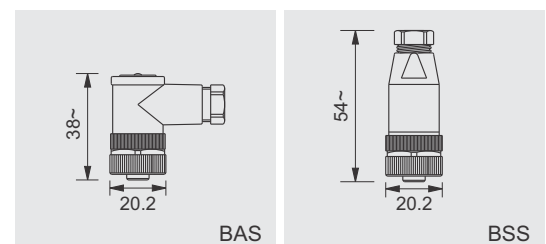
Order Code	Description
BS5	Straight, M12, 5M PVC integral cable
BA5	Angular, M12, 5M PVC integral cable
BSS-4PF5	Straight, M12 socket + 5M. 4 core PFA cable
BAS-4PF5	Angular, M12 socket + 5M. 4 core PFA cable
BSS-8PF5	Straight, M12 socket + 5M. 8 core PFA cable
BAS-8PF5	Angular, M12 socket + 5M. 8 core PFA cable
BSS-4Si5	Straight, M12 socket + 5M. 4 core PFA / Si Rubber cable
BAS-4Si5	Angular, M12 socket + 5M. 4 core PFA / Si Rubber cable
BSS-8Si5	Straight, M12 socket + 5M. 8 core PFA / Si Rubber cable
BAS-8Si5	Angular, M12 socket + 5M. 8 core PFA / Si Rubber cable

HOW TO ORDER



ADJUSTABLE COMPRESSION FITTINGS

Thread				
Code	G14	G12	N14	N12



NB : The transmitter must be protected from temperatures above 85°C

* The deviation of RTD sensor must be added to get the measuring accuracy of the transmitter

** Class AA : $\pm 0.1^\circ\text{C}$ / $\pm 0.04\Omega$ at 0°C