

DUAL/TRIPLE DP INDICATOR

2 OR 3 x INTEGRAL SENSOR, RS485, 24 VDC



FEATURES

- 2 or 3-rows, 0.45" (11.4 mm), large, bright multi-colour LED display
- IP65 front
- Software programmable channel range & unit
- 2 programmable alarms with audio-visual annunciation
- RS485/MODBUS RTU multidrop communication for PLC, SCADA, etc.
- Software calibration for channels
- Calibration history / schedule for validation
- 22~26 VDC/VAC supply
- Powerful, user-friendly SCADA available
- FDA 21CFR Part11 compliant SCADA version also



DUAL/TRIPLE DP INDICATOR

2 OR 3 x INTEGRAL SENSOR, RS485, 24 VDC

SPECIFICATIONS

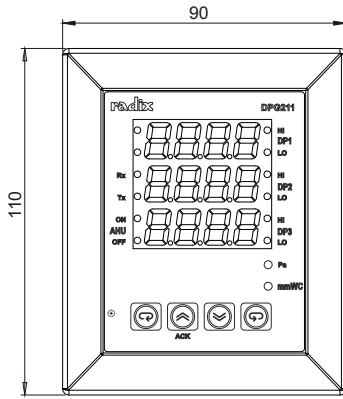
All specifications at ambient of 25 °C, unless specified otherwise

<p>INPUTS</p> <p>No. of inputs Input type Digital input type Range</p> <p>Default range / unit at the time of supply</p> <p>Accuracy</p> <p>Sensor zero function</p> <p>RTC accuracy Stand alone mode Slave with SCADA as master</p>	<p>2, 3 Integral Radix DP sensor AHU potential free -199 ~ 900Pa, -19.9 ~ 90.0mmWC (user selectable)</p> <p>- 199 to + 199 Pa ± 1.5% of reading ± 3 Pa, ± 1.5% of reading ± 0.3 mmWC</p> <p>Single key, with password protection to cancel zero drift</p> <p>± 5 second/day Same as server RTC ± 10 second</p>
<p>INDICATION</p> <p>Row1</p> <p>Row2</p> <p>Status indication</p>	<p>Window 1, 4 digit, 7 segment 0.45" (11.4 mm) red LED display</p> <p>Window 2, 4 digit, 7 segment 0.45" (11.4 mm) green LED display</p> <p>LEDs for visual alarms, RS485 signals, DP unit, AHU ON/OFF</p>
<p>OUTPUTS</p> <p>Buzzer No. of visual alarms</p>	<p>Audio 4, 6</p>
<p>COMMUNICATION</p> <p>Port Baud rate Protocol Slave ID Minimum polling interval Parameters Process variables Setpoints Alarm status Input bias</p>	<p>RS485, isolated 4800/9600/19200/38400 bps Modbus RTU User programmable, 1~247 200 milliseconds</p> <p>Read only Read & write from the host computer Read only Read & write from the host computer</p>
<p>MECHANICAL</p> <p>MOC</p> <p>Dimensions (in mm) Panel cutout (in mm) Mounting</p> <p>Protection</p>	<p>Faceplate : SS Body : ABS plastic 110(H)x90(W)x40(D) 75(H)x74(W)</p> <p>50 mm or more Using accessories grouting box and SS304 interface plate (both to be ordered separately) IP65</p> <p>Modular panel Brick wall</p>
<p>PROGRAMMABLE PARAMETERS</p> <p>Setpoint</p> <p>Resolution</p> <p>Digital filter Hysteresis Alarm logic (Fig1)</p> <p>Alarm type Setpoint lock</p>	<p>-19.9 ~ 90.0 mmWC -199 ~ 900 Pa 0.1 for DP unit mmWC 1 for DP unit Pa A (minimum) ~ F (maximum) User selectable a. Full scale high b. Full scale low Self reset ON, OFF</p>
<p>OTHER</p> <p>Programming Supply voltage</p> <p>Power consumption Operating ambient temperature Relative humidity</p>	<p>Through 4 tactile keys a) 22~26 V DC b) 22~26 V AC 4 watts maximum 0~50 °C Below 90%, non condensing</p>

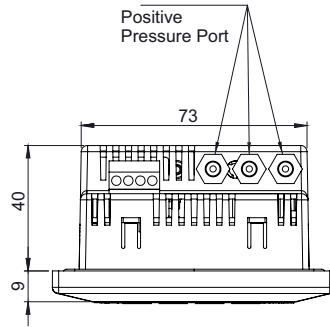
DUAL/TRIPLE DP INDICATOR

2 OR 3 x INTEGRAL SENSOR, RS485, 24 VDC

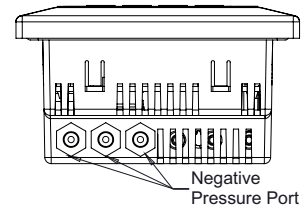
DIMENSIONS (in mm)



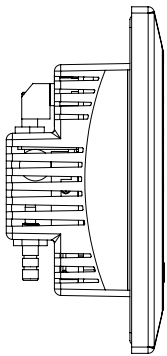
Front View



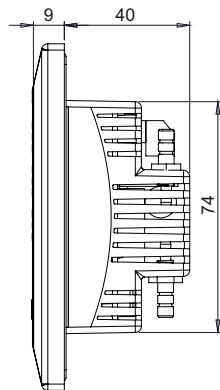
Top View



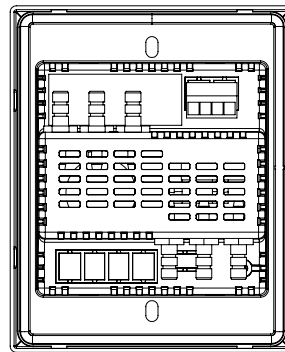
Bottom View



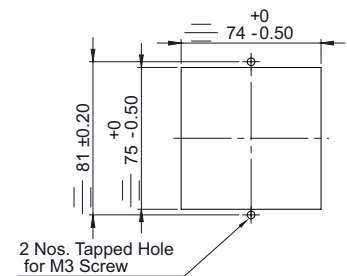
Left Side View



Right Side View



Back View



2 Nos. Tapped Hole for M3 Screw

Panel Cutout

ORDERING INFORMATION

Product code	2726			
No. of integral DP inputs	1			Dual input
	2			Triple input
RS485/MODBUS RTU		1		Not provided
		2		Provided
Supply voltage			1	22~26 VDC
			2	24~26 VAC

ENQUIRIES

Instruments: sales@radix.co.in
Sensors: sensors@radix.co.in
Gauges: gauges@radix.co.in
Automation: automation@radix.co.in
Level: level@radix.co.in

RADIX ELECTROSYSTEMS PVT LTD
 B-14, 2nd Floor, Ghanshyam Indl Estate
 Veera Desai Road, Andheri (West)
 Mumbai - 400 053, India
 + 91 22 42537707 | sales@radix.co.in

radix®
 www.radix.co.in