

# THE CLEAN ROOM MONITOR

## RH+T+DP INDICATOR

### FEATURES

- Microcontroller based
- RH, Temperature & DP measurement
- Digital potential free AHU input
- 4-row, 0.45" (11.5 mm), large, bright multi-colour LED display
- Software programmable channel ranges, units & input types
- User programmable for 1, 2 or 3 channel measurement
- 3 programmable alarms with visual annunciation
- Software calibration for channels
- Calibration history / schedule for validation
- RS485/MODBUS RTU multidrop communication for PLC, SCADA, etc.
- 24 VDC supply
- Powerful, user-friendly SCADA available
- FDA 21CFR Part11 compliant SCADA version also
- Advanced digital RH+T sensor technology
- Real time clock with battery backup



# THE CLEAN ROOM MONITOR

## RH+T+DP INDICATOR

### SPECIFICATIONS

All specifications at ambient of 25 °C, unless specified otherwise

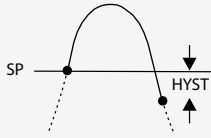
<b>INPUTS</b> No. of inputs Input RH Input T Input DP Digital input type Range Accuracy For Integral Sensors For Remote Input RTC accuracy Stand alone mode Slave with SCADA as master		3 (RH, T, DP) a) Integral, radix RH+T sensor b) 0-10 V DC c) 4-20 mA a) Integral, radix RH+T sensor b) 0-10 V DC c) 4-20 mA a) 0-10 V DC b) 4-20 mA c) Integral Radix DP sensor AHU potential free 0-100% RH (user selectable) -40.0 ~ 120.0 °C (user selectable) -199 ~ 900Pa, -19.9 ~ 90.0mmWC (user selectable) ± 2% RH ± 0.3 °C ± 1.5% of reading ± 5 Pa, ± 1.5% of reading ± 0.5 mmWC ± 1% RH ± 0.25% of span (min ±0.2 °C) ± 0.25% of span (min ±0.3 mmWC) ± 5 second/day Same as server RTC ± 10 second
<b>INDICATION</b> Row1 Row2 Row3 Row4 Status indication		Window 1, 4 digit, 7 segment 0.45" (11.5 mm) red LED display Window 2, 4 digit, 7 segment 0.45" (11.5 mm) green LED display Window 2, 4 digit, 7 segment 0.45" (11.5 mm) Yellow LED display Window 2, 4 digit, 7 segment 0.45" (11.5 mm) Amber LED display LEDs for visual alarms, RS485 signals, RTC, AHU ON/OFF
<b>OUTPUTS</b> Buzzer No. of visual alarms		Audio 6
<b>COMMUNICATION</b> Port Baud rate Protocol Slave ID Minimum polling interval Parameters Process variables Setpoints Alarm status Input bias RTC synchronisation		RS485, isolated 4800/9600/19200/98400 bps Modbus RTU User programmable, 1~247 200 milliseconds Read only Read & write from the host computer Read only Read & write from the host computer Read & write from the host computer
<b>MECHANICAL</b> MOC Dimensions (in mm) Panel cutout (in mm) Mounting Modular panel Brick wall		Faceplate : SS Body : ABS plastic 110(W)x90(H)x40(D) 75(W)x74(H) 50 mm or more Using accessories grouting box and SS304 interface plate (both to be ordered separately)
<b>PROGRAMMABLE PARAMETERS</b> Setpoint Resolution Digital filter Hysteresis Alarm logic (Fig1) Alarm type Setpoint lock		% RH Temperature DP 0 ~ 100 (Resolution 1), 0.0 ~ 99.9 (Resolution 0.1) -40 ~ 120 °C (Resolution 1), -40.0 ~ 120.0 °C (Resolution 0.1) -19.9 ~ 90.0 mmWC -199 ~ 900 Pa 1, 0.1 for RH & T 0.1 for DP unit mmWC 1 for DP unit Pa A (minimum) ~ F (maximum) User selectable a. Full scale high    b. Full scale low Self reset ON, OFF
<b>OTHER</b> Programming Supply voltage Power consumption Operating ambient temperature Relative humidity		Through 4 tactile keys 24 V DC 4 watts maximum 0-50 °C Below 90%, non condensing

# THE CLEAN ROOM MONITOR

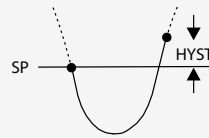
## RH+T+DP INDICATOR

### FIG 1 ALARM LOGIC

— ON      - - - - - OFF

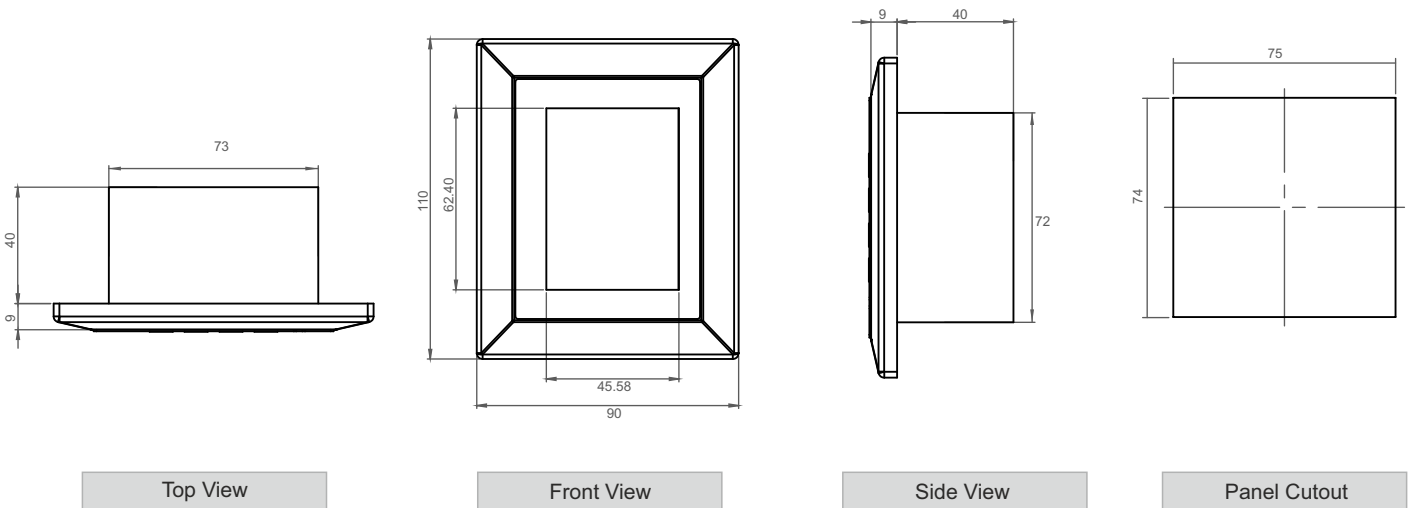


FULL SCALE HIGH



FULL SCALE LOW

### DIMENSIONS (in mm)



### ORDERING INFORMATION

2634 -

A B C D E F G

Product code	A	Version	B	RH Input	C	Temperature Input	D	DP Input	E	DP Unit	F	AHU Input	G	Communication
2634	1	1-row	1	None	1	None	1	None	1	None	1	None	1	Not provided
	2	2-row	2	Integral RH+T sensor	2	Integral RH+T sensor	2	Integral DP sensor	2	mmWC	2	Digital, Potential free	2	RS485, Isolated
	3	3-row	3	0~10 VDC	3	0~10 VDC	3	0~10 VDC	3	Pa				
	4	4-row	4	4~20 mA	4	4~20 mA	4	4~20 mA						

CAT#582R1/A

#### ENQUIRIES

**Instruments:** sales@radix.co.in  
**Sensors:** sensors@radix.co.in  
**Gauges:** gauges@radix.co.in  
**Automation:** automation@radix.co.in  
**Level:** level@radix.co.in

RADIX ELECTROSYSTEMS PVT LTD  
 B-14, 2nd Floor, Ghanshyam Indl Estate  
 Veera Desai Road, Andheri (West)  
 Mumbai - 400 053, India  
 + 91 22 42537707 | sales@radix.co.in

**radix**®  
 www.radix.co.in