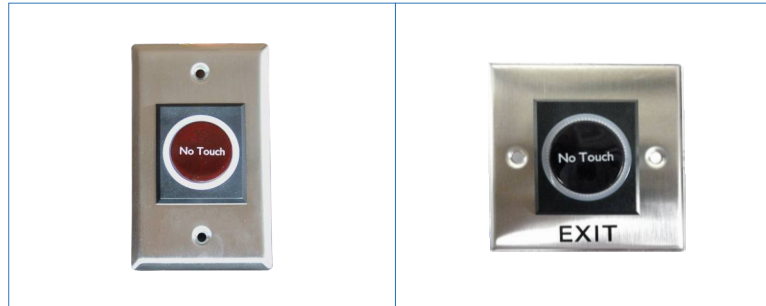


**NO TOUCH SWITCHES**

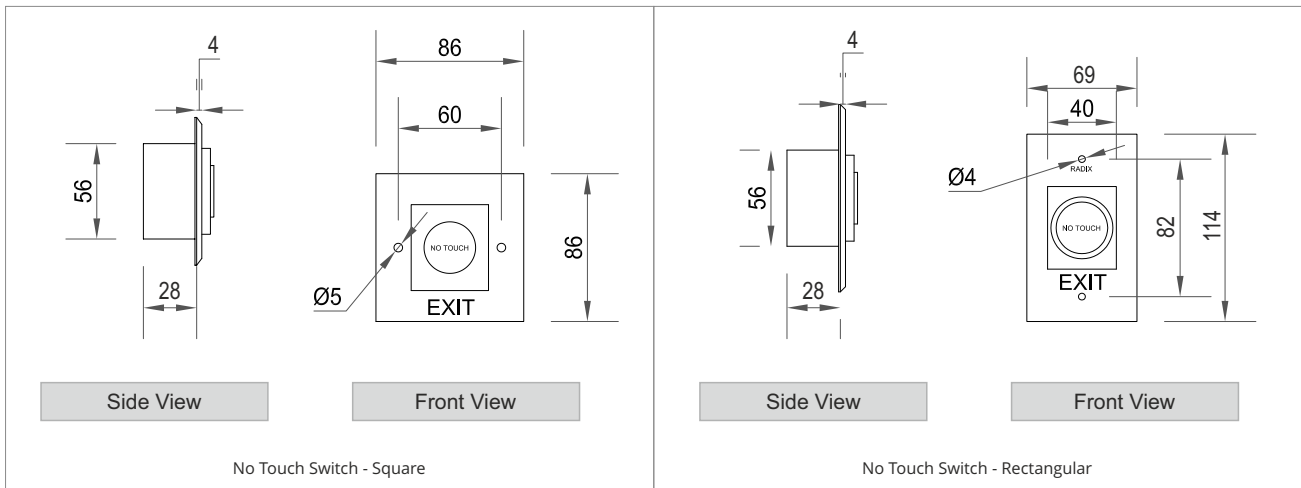


Order Code	2640	2604
LED Indications	Yes	Yes
Dimension	114(H) x 69(W) x 32(D)	86(H) x 86(W) x 32(D)

No touch switch is used to access the door by simply passing the hand close to the switch. Detection is indicated by an LED. Blue indicates 'Normal' and Red indicates 'No touch detection'.

- Input voltage : 12VDC
- Contact rating : 3A/120VAC 30VDC
- Operating temperature : -20 °C ~ 50 °C
- Life : 500000 operations
- MOC : Durable stainless steel plate

**DIMENSIONS mm**



**EMERGENCY SWITCHES**



Order Code	2605-1	2605-2	2641-1	2641-2
LED Indications	No	Yes	No	Yes
Dimension	90(H) x 90(W) x 23(D) .	90(H) x 90(W) x 39.6(D)	92.30(H) x 29.70(W) x 21.5(D)	92.30(H) x 29.70(W) x 35.8(D)

The emergency switch is used to open all the doors simultaneously in an emergency conditions.

- Contact type : Normally open
- Standard structure : Stainless steel panel, steel button
- Panel material : Stainless steel, brush finish

**CONNECTIONS**

Terminal	Controller Terminal
+12V	+12V
NO	SWx / GPIx
C	GND
NC	-
GREEN LED	PASSx
RED LED	FAILx

2605-2, 2641-2

Terminal	Controller Terminal
NO	SWx / GPIx
CO	GND

2605-1, 2641-1

**DIMENSIONS mm**

Emergency Switch - Square

Emergency Switch - Rectangular

**ENQUIRIES**

Instruments : sales@radix.co.in  
 Sensors : sensors@radix.co.in  
 Gauges : gauges@radix.co.in  
 Automation : automation@radix.co.in  
 Level : level@radix.co.in  
 Dwyer : sales@radix.co.in

**RADIX ELECTROSYSTEMS PVT LTD**  
 EL-135/136/137, Electronics Zone  
 TTC Indl. Area, MIDC, Mahape  
 Navi Mumbai - 400 710, India  
 Cell : + 91 93209 97925 • automation@radix.co.in