

# DIFFERENTIAL PRESSURE INDICATOR

## BATTERY OPERATED



### ABOUT DPG202

DPG202 is a microcontroller-based, high performance battery operated, Differential Pressure Indicator with a dual row 4-digit LCD display.

Alarms with audio output can be user programmed. The circuit is designed for ultra-low power consumption. This gives a battery life in excess of 1 year with the supplied battery. It can be user programmed for parameters such as unit, bias, sampling interval, alarm activation, etc.

### FEATURES

- Battery operated
- 1 year+ battery life (2 second sampling interval)
- High accuracy
- Software calibration - no trimpots
- Dual row 7-segment LCD display
- Zero & span adjustment with pushbutton switch provided on front
- Programmable sampling interval, unit, bias, etc
- RTC display (programmable)
- Buzzer output

#### INPUT

Unit of measurement	Pa, mmWC, mbar, inWC, mmHg, PSI, inHg
Range	See Table 1
Resolution	See Table 1
Display	Dual 7-segment, 4-digit, 0.5" (12.7 mm) LCD

#### ACCURACY

Linearity & calibration	See Table 1
Sampling interval	1 to 25 seconds, user programmable

#### REAL TIME CLOCK

Display	HH : MM
Accuracy	± 60 seconds / month
Format	12 hours, 24 hours (Programmable)

#### POWER / BATTERY LIFE

Battery	4xAA cells, Duracell Alkaline or equivalent
Battery life	1 year+ (3 second sampling interval) * Battery life reduced depending on in-built alarm activation duration
Battery low indication	If battery voltage reduced less than minimum operating voltage "BAT" indication get displayed on LCD

#### ALARMS

No. of alarms	2 (High, Low)
Alarm type	a) Autoreset b) Latched c) Timer
Alarm activation delay	0-250 seconds
Alarm output	Buzzer

#### TEMPERATURE, HUMIDITY

Ambient, operation	0 to +50 °C
For battery AEB-623 storage (instrument is not power on)	0 to +30 °C
Relative humidity	0 ~ 100% RH

#### PROGRAMMABLE PARAMETERS

Program mode	Unit Resolution Display update rate Display bias RTC
Alarm settings	Alarm activation delay Alarm type Alarm mode Hysteresis Alarm sound

#### MECHANICAL

MOC	Faceplate : SS302 Body : MS, powder coated
Dimensions (in mm)	110(W)x90(H)x40(D)
Panel cutout (in mm)	75(W)x75(H)
Mounting	40 mm or more Using accessories grouting box and SS304 interface plate (both to be ordered separately)
Modular panel	
Brick wall	

### SPECIFICATIONS

All specifications at ambient of 25 °C, unless specified otherwise

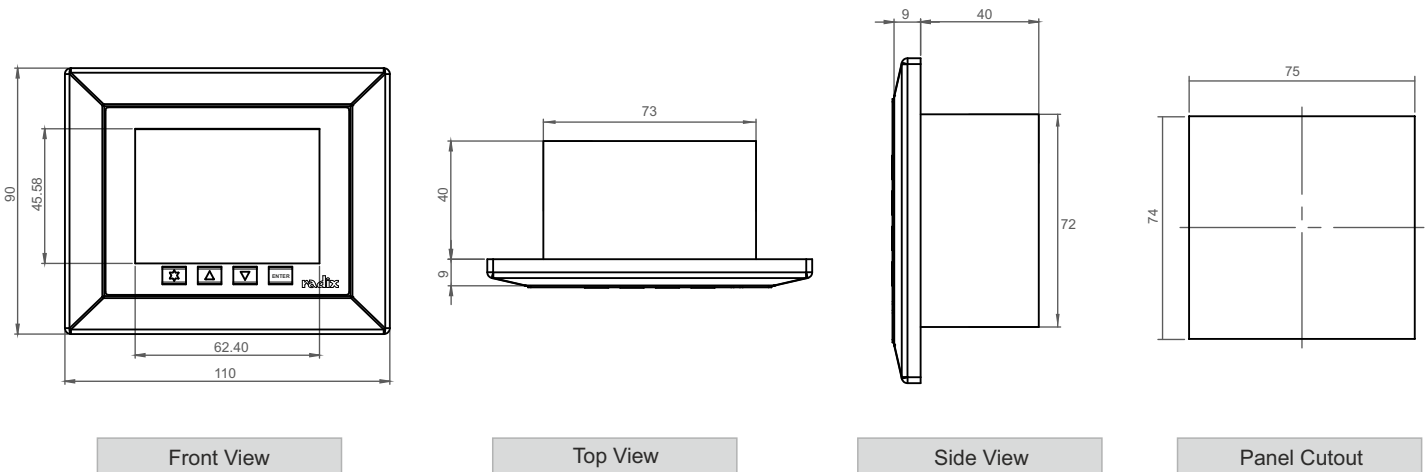
# DIFFERENTIAL PRESSURE INDICATOR

## BATTERY OPERATED

**TABLE1 - PRESSURE RANGE AND ACCURACY**

UNIT	TYPICAL ACCURACY AT 30 °C (°C / % SPAN)	WORST CASE ACCURACY (°C / % SPAN)	MIN SPAN	RESOLUTION	BAND
Pa	± 0.5% ± 2 Pa	± 1.5% of reading ±3 Pa	10% of full scale	1	50
mmWC	± 0.5% ± 0.2 mmWC	± 1.5% of reading ±0.3 mmWC	10% of full scale	0.1	5.0
mbar	± 0.5% ± 0.02 mbar	± 1.5% of reading ±0.03 mbar	10% of full scale	0.01	0.5
inWC	± 0.5% ± 0.008 inWC	± 1.5% of reading ±0.012 inWC	10% of full scale	0.01	0.5
mmHg	± 0.5% ± 0.016 mmHG	± 1.5% of reading ±0.024 mmHG	10% of full scale	0.01	0.5
PSI	± 0.5% ± 0.0003 PSI	± 1.5% of reading ±0.00045 PSI	10% of full scale	0.001	0.05
inHg	± 0.5% ± 0.0007 inHG	± 1.5% of reading ±0.0008 inHG	10% of full scale	0.001	0.05

### DIMENSIONS mm



### ORDERING INFORMATION

ORDER CODE	
2631	A

A	Unit, Range & Resolution for display								
	Range	Pa	mmWC	mbar	inWC	PSI	inHg	mmHg	kPa
01	-100~100	100	10.0	1.00	0.40	0.015	0.029	0.75	0.10
02	-1000~1000	1000	100.0	10.00	4.01	0.145	0.295	7.50	1.000
03	-2000~2000	1999	199.9	19.99	8.03	0.290	0.591	15.00	1.999
04	-5000~5000	5000	500.0	50.00	20.10	0.725	1.480	37.50	5.000
05	-10000~10000	9999	999.9	100.0	40.10	1.450	2.950	75.00	10.00

#### Ordering Options

The following ordering options are available on request. Minimum order quantity and/or minimum order value may apply.

Option details	
1.	Customer specified range
2.	Customer specified unit (Pa, mmWC, mbar, inWG, PSI, inHg, mmHg)

Note : Any non standard range, eg -50~400 Pa, should be specified when ordering.

CAT#580R3/T

#### ENQUIRIES

Instruments: sales@radix.co.in  
 Sensors: sensors@radix.co.in  
 Gauges: gauges@radix.co.in  
 Automation: automation@radix.co.in  
 Level: level@radix.co.in

RADIX ELECTROSYSTEMS PVT LTD  
 EL-135/136/137, Electronics Zone  
 TTC Indl. Area, MIDC, Mahape  
 Navi Mumbai - 400 710, India  
 + 91 22 42537777 · sales@radix.co.in

**radix**®  
 www.radix.co.in