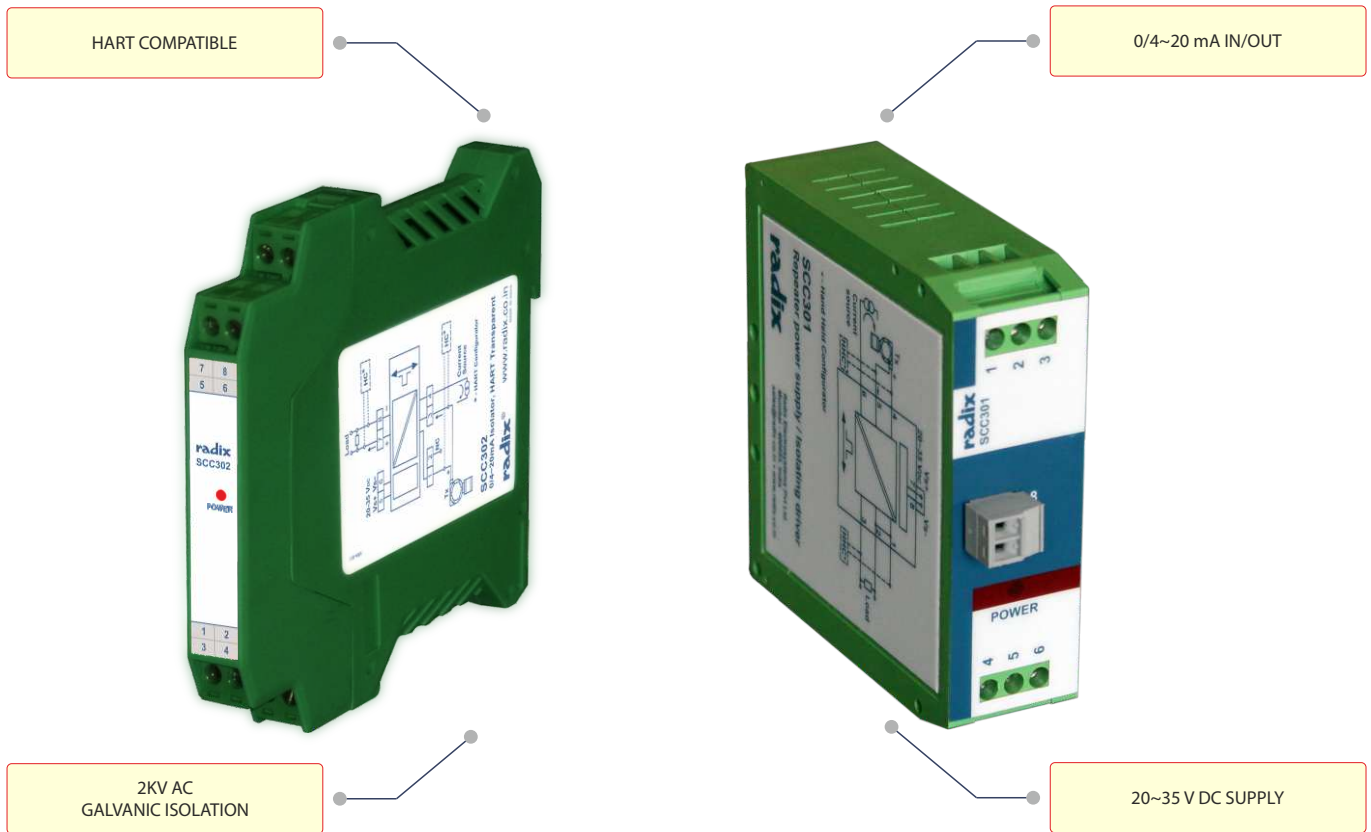


0/4~20mA ISOLATOR, HART TRANSPARENT



ABOUT SCC30X

SCC301 and SCC302 are dual purpose, current-to-current converters with 3-port isolation. Each provides a fully floating, isolated DC supply for energising a conventional 2 or 3-wire 0/4~20mA transmitter/ smart transmitter and repeats the current in another isolated circuit or accepts a 0/4~20mA signal from a controller/source to drive loads up to 750Ω. A 20~35VDC power supply is required for operation. For a 2-wire smart transmitter the unit also allows bi-directional transmission of digital communication signals (Hart, etc) superimposed on the 0/4~20mA signal so that the transmitter can be interrogated either from the operator station or by a handheld configurator.

FEATURES

- 0/4~20 mA IN/OUT
- HART compatible
- 2000VAC RMS galvanic isolation between supply, input & output
- Accuracy : $\pm 0.1\%$ of span ($\pm 20 \mu\text{A}$)
- 0~750 ohms load resistance
- Excitation supply for 2-wire transmitter
- Din rail mount
- 20~35 V DC supply

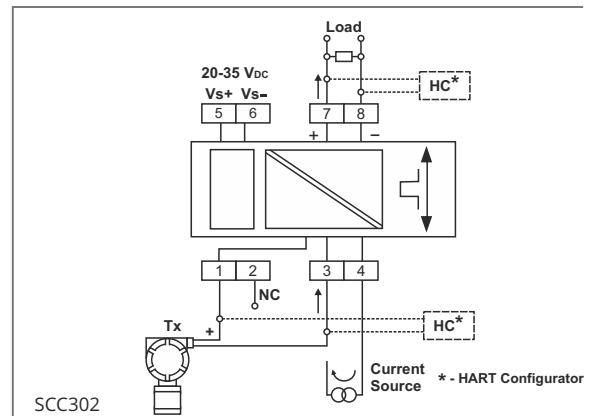
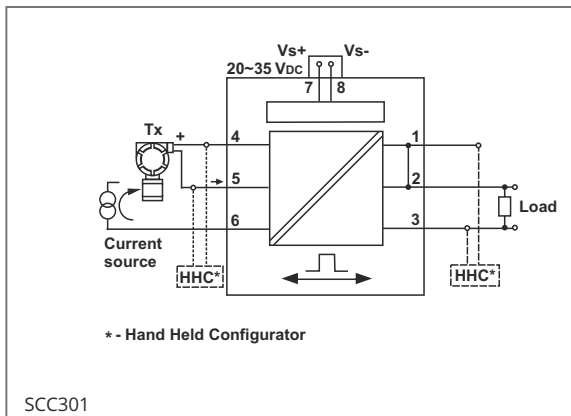
0/4~20mA ISOLATOR, HART TRANSPARENT

SPECIFICATIONS

All specifications at ambient of 25 °C, unless specified otherwise

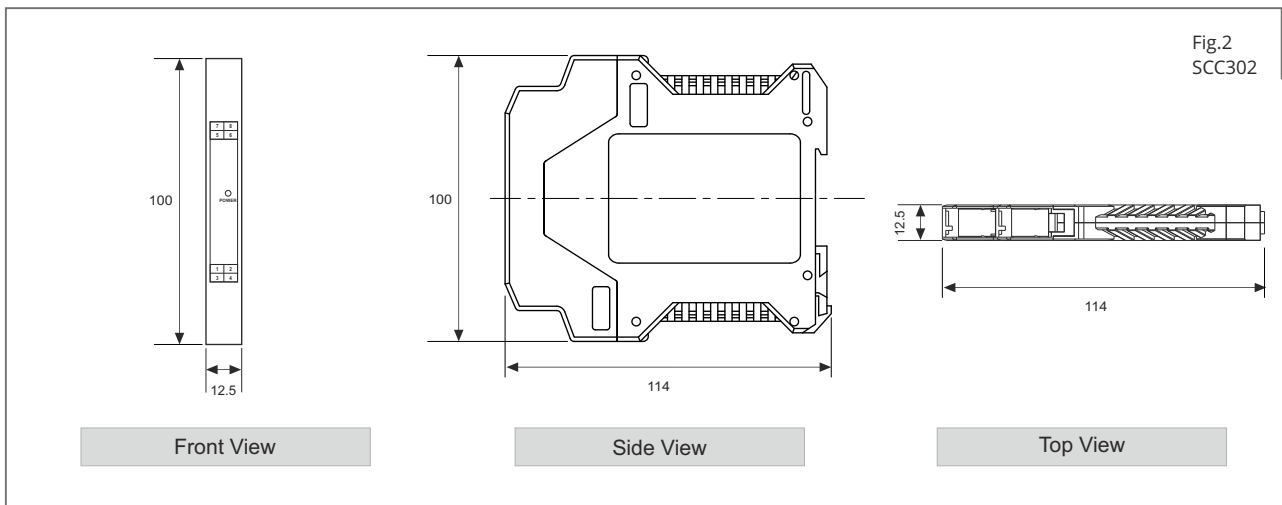
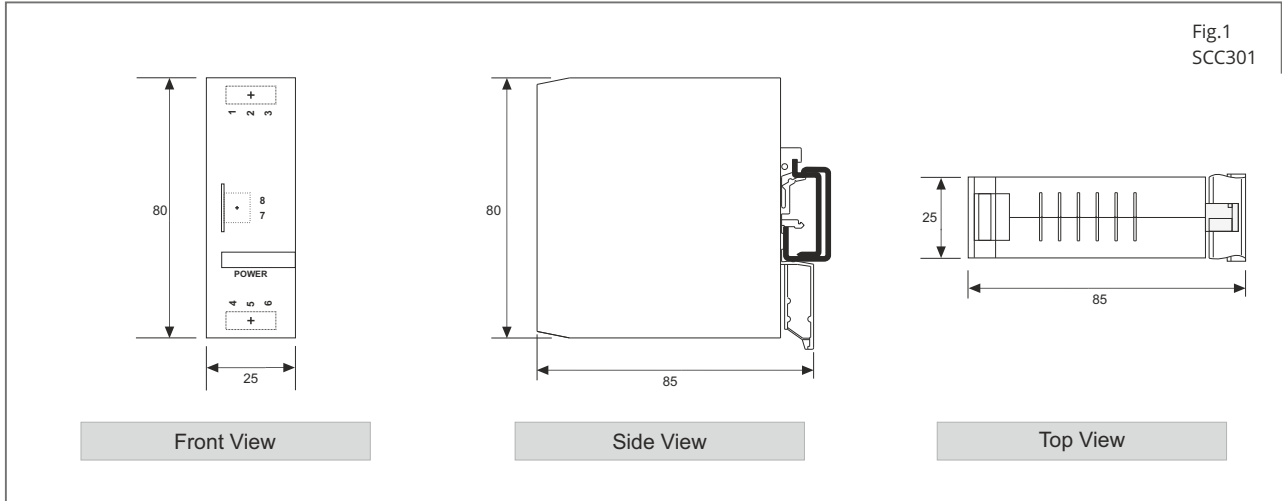
INPUT, OUTPUT		OTHER	
Number of channels	One	LED indicator	1 red LED indicating POWER ON
Input and output signal	0~20 mA for normal operation 4~20 mA for operations with digital communication	Transmitter supply	20 V minimum at 20 mA
Maximum load resistance	Conventional transmitters/drivers 750Ω Smart transmitters 220Ω to 650Ω	Digital signal bandwidth	100 Hz ~ 10 KHz
Voltage drop across input from current source	<0.5V	List of compatible devices for digital communication	All HART compatible devices
ACCURACY		ENCLOSURE	
Transfer accuracy at 25 °C (including non-linearity and hysteresis)	±0.1% of span (±20 μA)	SCC301	
Temperature effect on accuracy	<1 μA / °C	Material	ABS plastic
Response time	10 ms (to reach 90% of span)	Dimensions	80(H) x 25(W) x 85(D) mm See Fig.1
ISOLATION		Mounting	Snap on for 35 mm DIN rail to DIN 46277
Isolation (mutual, between power supply, input and output)	2000 VAC RMS	Connection, single/stranded	≤ 2.5 mm ² , AWG 14 wires
POWER SUPPLY		Weight	Approx. 200 grams
Supply voltage	20~35 V DC	Protection	IP20
Power requirement (supplying a transmitter)	135mA max at 20V with a 20mA signal 95mA max at 35 V with a 20mA signal	SCC302	
Power requirement (current source input)	90mA max at 20V with a 20mA signal 65mA max at 35 V with a 20mA signal	Material	Nylon 6 (PA66)
		Dimensions	100(H) x 12.5(W) x 114(D) mm See Fig.2
		Mounting	Snap on for 35 mm DIN rail to DIN 46277
		Connection, single/stranded	≤ 2.5 mm ² , AWG 14 wires
		Weight	Approx. 90 grams
		Protection	IP20
		ENVIRONMENTAL CONDITIONS	
		Ambient, storage	-40 ~ +80 °C
		Ambient, operation	-20 ~ +55 °C
		Relative humidity	5 ~ 95%

ELECTRICAL CONNECTIONS



0/4~20mA ISOLATOR, HART TRANSPARENT

DIMENSIONS (in mm)



ORDERING INFORMATION

Product code	2212		SCC301
	2775		SCC302
Test & calibration Report		0	No #
		1	Yes *

Certificate Of Conformance is included

* Chargeable

ENQUIRIES

Instruments: sales@radix.co.in
Sensors: sensors@radix.co.in
Gauges: gauges@radix.co.in
Automation: automation@radix.co.in
Level: level@radix.co.in

RADIX ELECTROSYSTEMS PVT LTD
 EL-135/136/137, Electronics Zone
 TTC Indl. Area, MIDC, Mahape
 Navi Mumbai - 400 710, India
 + 91 22 42537777 · sales@radix.co.in

radix®
 www.radix.co.in