

RS232 TO RS485/RS422 CONVERTER

FEATURES

- Transmission rate : 300 - 115200bps
- Transmission distance : RS485 1200m, RS232 5m
- Working mode : asynchronous, half-duplex, differential transmission
- Supports 32 nodes on RS485 bus
- 3-port isolation between Power Supply, RS232, RS485 & RS422
- Automatic direction control of RS485 signal



ABOUT DCC301

DCC301 is an RS232 to RS485 or RS422 converter. The RS232 to RS485 / RS422 converter allows the interface of any device using an RS232 serial link to an RS485 / RS422 link.

The DCC301 converter also provides optical isolation between the RS232 and RS485 or RS422 connections. This ensures that any abnormal voltage on the RS485 or RS422 bus does not affect the RS232 port (say of a PC).

The RS485 bus can be upto 1200 metres (4000 feet) long. The DCC301 converter supports baud rates upto 115200 bits/second.

RS232 TO RS485/RS422 CONVERTER

SPECIFICATIONS

All specifications at ambient of 25 °C, unless specified otherwise

COMMUNICATION INTERFACE

4 wire RS422	TxD+, TxD-, RxD+, RxD-
3-wire RS232	TxD, RxD, GND
2-wire RS485	D+, D-
Self-Tuner	Yes, automatic
Signal isolation	Provides optical isolation to signals

ISOLATION

Mutual isolation between RS232, RS485/RS422 & supply	2200 V AC RMS, 1 minute
--	-------------------------

POWER

Power input (DC Jack)	24 VDC
Power consumption	1.2W @24VDC (0.05A @24VDC)

2 mm male connector plug with 1.5meter cable is included for connection to a 24VDC supply

INDICATORS

Power	Red LED
TxD	Green LED
RxD	Blue LED

MECHANICAL

Material	ABS
Mounting	a) Snap on for 35 mm DINrail to DIN46277 b) Surface
Dimensions (in mm) (See Fig1)	30.1(H) X 48.3(W) X 95(L)

ENVIRONMENTAL CONDITIONS

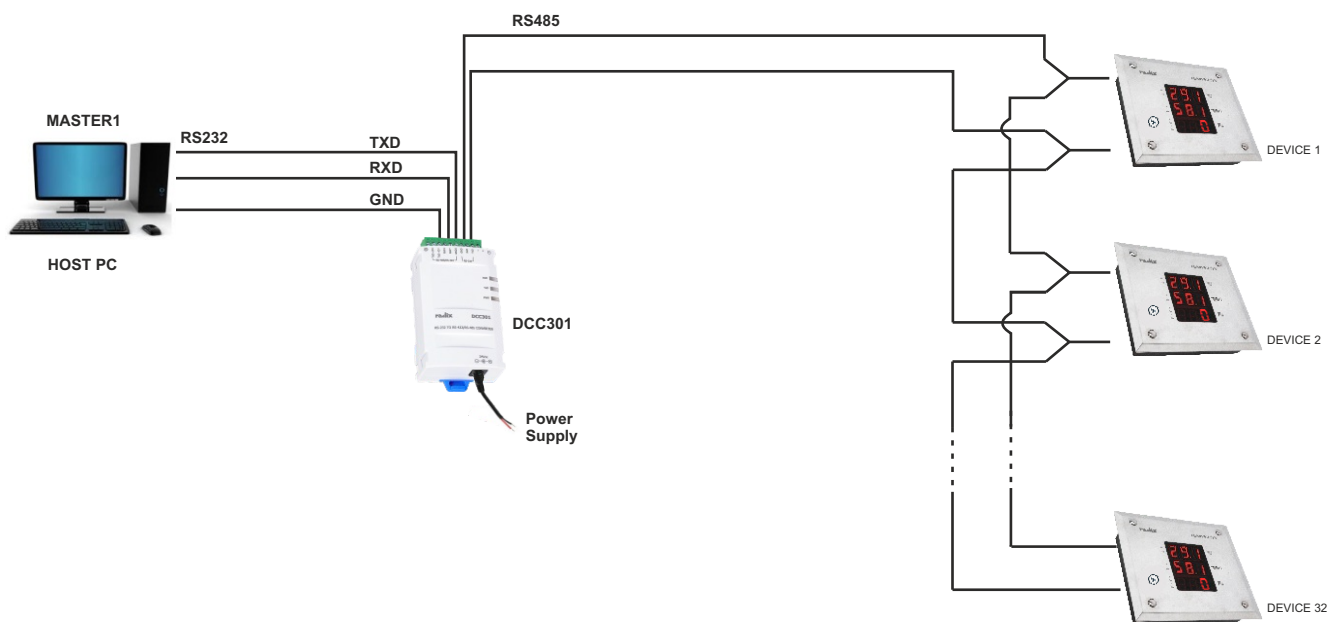
Operating temperature	0 to 65°C
Storage temperature	-30 to 80°C
Relative humidity	10 to 90% (non-condensing)

CONNECTIONS

Single/stranded wires	≤ 2.5 mm ² , AWG 14
-----------------------	--------------------------------

AC POWER ADAPTOR FOR DCC301	To be ordered separately
Model	ACA203
Mains supply voltage	100~240VAC, 50/60hz

APPLICATION



RS232 TO RS485/RS422 CONVERTER

DIMENSIONS mm

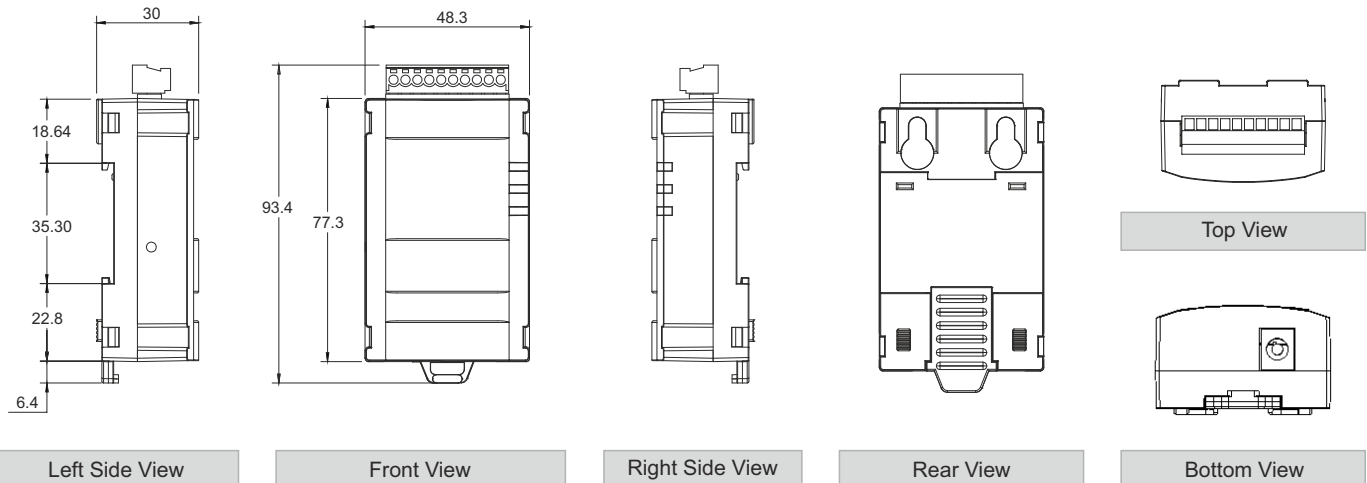


Fig 1

CONNECTION DETAILS

ORDERING INFORMATION

RS232 TO RS485/RS422 CONVERTER

Model : DCC301

Order Code : 2554

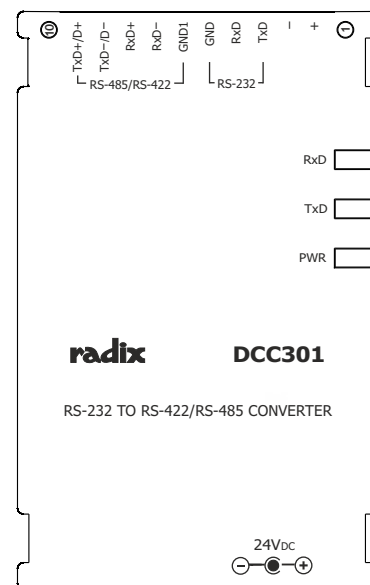
In the Box

DCC301	1 pc
Power Cable, 1.5 meter for 24VDC	1 pc

AC POWER ADAPTOR FOR DCC301

Model : ACA203

Order Code : 2571



CAT#510R2/A

ENQUIRIES

Instruments: sales@radix.co.in
Sensors: sensors@radix.co.in
Gauges: gauges@radix.co.in
Automation: automation@radix.co.in
Level: level@radix.co.in

RADIX ELECTROSYSTEMS PVT LTD
 EL-135/136/137, Electronics Zone
 TTC Indl. Area, MIDC, Mahape
 Navi Mumbai - 400 710, India
 + 91 22 42537777 | sales@radix.co.in

radix®
 www.radix.co.in