

SERIAL TO ETHERNET CONVERTER WITH DUAL MASTERS

INTRODUCTION

DCC211 is a Serial-to-Ethernet converter. It is an Industrial Terminal Server which functions as a gateway. It has two serial ports (RS232/RS485 slave, RS485 master) and an Ethernet port (master).

It finds applications where a SCADA software, a PLC, an HMI or DCS need to communicate with a serial bus (RS232/RS485). Essentially, two masters can access data from slaves on one serial bus.

For example, a SCADA software running on a PC is connected to the Ethernet port as master and an HMI is connected to the RS485 port as the second master. Both masters are able to access data from upto 32 devices on an RS485 bus, eg temperature scanners, connected to the RS485 port (slave) of the DCC211.

DCC211 is an interface between RS232 or RS485 bus and an Ethernet port. It converts between MODBUS TCP & MODBUS RTU. The browser based configuration utility allows the host IP address and serial settings to be changed.

The DCC211 Converter offers true IEEE 802.3af-compliant (classification, Class 1) Power over Ethernet (PoE) functionality using a standard category 6 Ethernet cable to receive power from any PoE switch. If there is no PoE switch on site, the module will also accept power input from a DC adapter.

FEATURES

- ARM Cortex-M4F processor core
 - 512 KB flash memory
 - 256 KB single-cycle system SRAM
 - 6KB of EEPROM
- 10/100 Mbps Ethernet port
- Browser based configuration utility
- Telnet, TCP Modbus protocols
- Serial Interface : RS232, RS485
- Configurable baud rate, parity, data bits, stop bits, IP address
- 12~48 VDC power supply
- Mounting : DIN Rail / Surface
- Redundant power inputs: PoE (IEEE 802.3af, Class 1) and DC jack



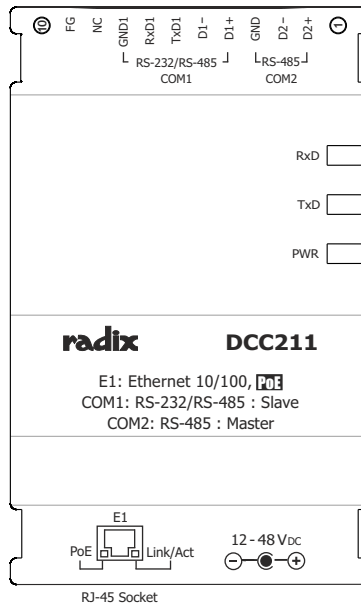
SYSTEM	32 bit MCU
COMMUNICATION INTERFACE	
Ethernet	10/100 Base-TX, 8-pin RJ-45X1, (Auto-negotiating, LED indicator) PoE (IEEE 802.3af, Class 1)
Utility software	Browser based configuration utility
Ethernet protocol	Telnet, TCP MODBUS
Serial protocol	MODBUS RTU
COM1	3-wire RS232 (Slave)
	2-wire RS485 (Slave)
COM2	2-wire RS485 (Master)
Self-Tuner	Yes (automatic RS485 direction control)
UART	16c550 or compatible
COM PORT FORMAT	
Baud rate (bps)	300, 600, 1200, 2400, 4800, 9600, 14400, 19200, 38400, 57600, 115200, 230400
Data bit	5,6,7,8
Parity	None, Odd, Even, Mark, Space
Stop bit	1, 2
INDICATORS	
Power	Red LED
TxD	Green LED
RxD	Blue LED
POWER	
Power input (DC Jack)	12-48 VDC
Power consumption	0.05A @24VDC
2 mm male connector plug with 1.5meter cable is included for connection to a 24VDC supply (12-48VDC)	
MECHANICAL	
Material	ABS
Mounting	a) Snap on for 35 mm DINrail to DIN46277 b) Surface
Dimensions (in mm) (See Fig1)	30.1(H) X 48.3(W) X 95(L)
ENVIRONMENTAL LIMITS	
Operating temperature	0 to 65°C
Storage temperature	-30 to 80°C
Ambient relative humidity	10 to 90% (non-condensing)
CONNECTION	
Single/ stranded wires	≤ 2.5mm ² , AWG 14
COM1	RS-232 : Tx/D1, Rx/D1, GND1 RS-485 : D1+, D1-, RS-485 : D2+, D2-
COM2	
AC POWER ADAPTOR FOR DCC211	To be ordered separately
Model	ACA203
Mains supply voltage	100-240VAC, 50/60hz

SPECIFICATIONS

All specifications at ambient of 25 °C, unless specified otherwise

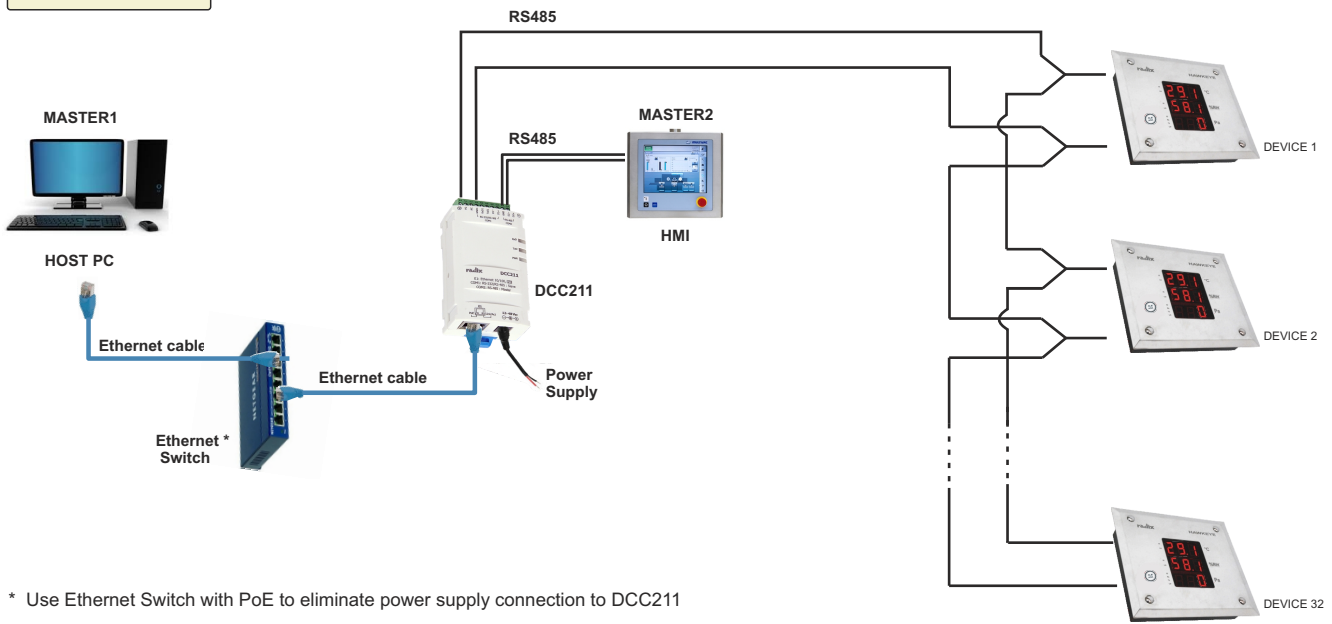
SERIAL TO ETHERNET CONVERTER WITH DUAL MASTERS

CONNECTION DETAILS



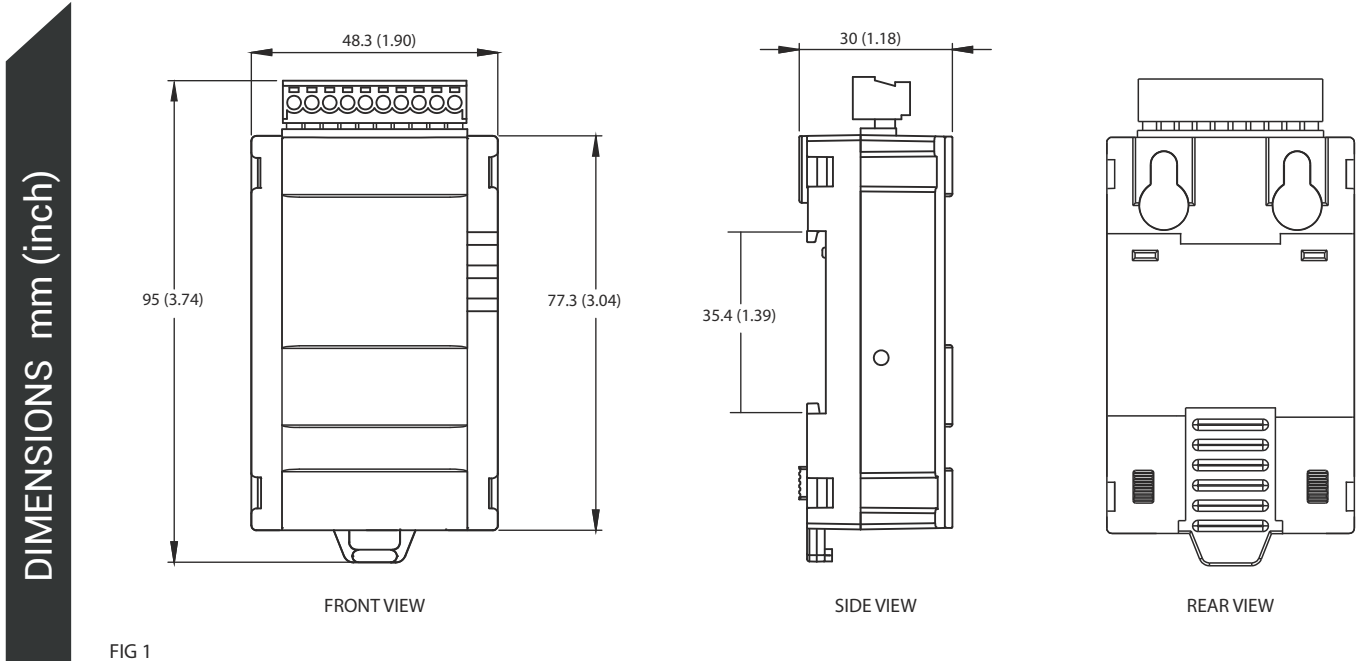
APPLICATION

NON-POE



* Use Ethernet Switch with PoE to eliminate power supply connection to DCC211

SERIAL TO ETHERNET CONVERTER WITH DUAL MASTERS



ORDERING INFORMATION

SERIAL TO ETHERNET CONVERTER WITH DUAL MASTERS

Model : DCC211

Order Code : 2559

In the Box

DCC211	1 pc
Power Cable, 1.5 meter for 24VDC	1 pc

AC POWER ADAPTOR FOR DCC211

Model : ACA203

Order Code : 2571

CAT#521R1/310316/A

ENQUIRIES

Instruments: sales@radix.co.in

Sensors: sensors@radix.co.in

Gauges: gauges@radix.co.in

Automation: automation@radix.co.in

Level: level@radix.co.in

RADIX ELECTROSYSTEMS PVT LTD
EL-135/136/137, Electronics Zone
TTC Indl. Area, MIDC, Mahape
Navi Mumbai - 400 710, India
+ 91 22 42537707 • sales@radix.co.in

radix®
www.radix.co.in