

SERIAL TO ETHERNET CONVERTER

INTRODUCTION

DCC201 is an interface between RS232, RS485 or RS422 bus and an Ethernet port. It converts between MODBUS TCP and MODBUS RTU. The browser based configuration utility allows the host IP address and serial settings to be changed by the user.

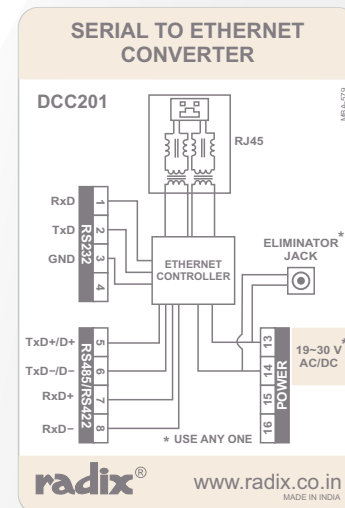
DCC201 is useful in demanding applications where 3-port isolation is required between the Ethernet, RS485 and Power Supply.



FEATURES

- Auto-negotiating 10/100 Ethernet Half/Full Duplex
- Serial Interface: RS232, RS485, RS422
- Mutual isolation between RS485 port, Ethernet port and Power Supply
- Browser based configuration utility
- Bridge RS232/RS485/RS422 to TCP/IP
- MODBUS® RTU to MODBUS TCP/IP Bridging
- Serial speeds up to 230.4 Kb/s
- Telnet, TCP Modbus protocols
- Configurable baud rate, parity, data bits, stop bits, IP address
- 24 V AC/DC (19~30 V AC/DC) power supply
- Default Parameters: Can be restored by pressing reset switch at power ON
- Put any serial device on your LAN/Internet network in minutes
- Compact, DIN rail enclosure fits almost anywhere
- Private labelling for OEMs

CONNECTION DIAGRAM



SERIAL TO ETHERNET CONVERTER

DIMENSIONS mm (inch)

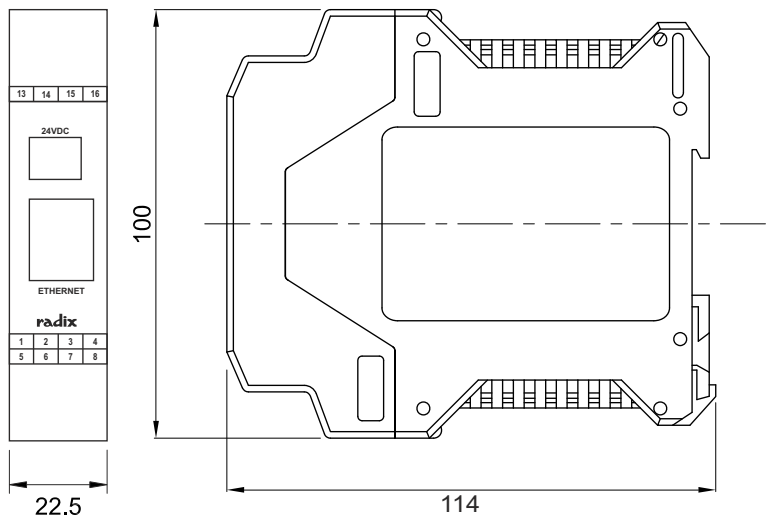
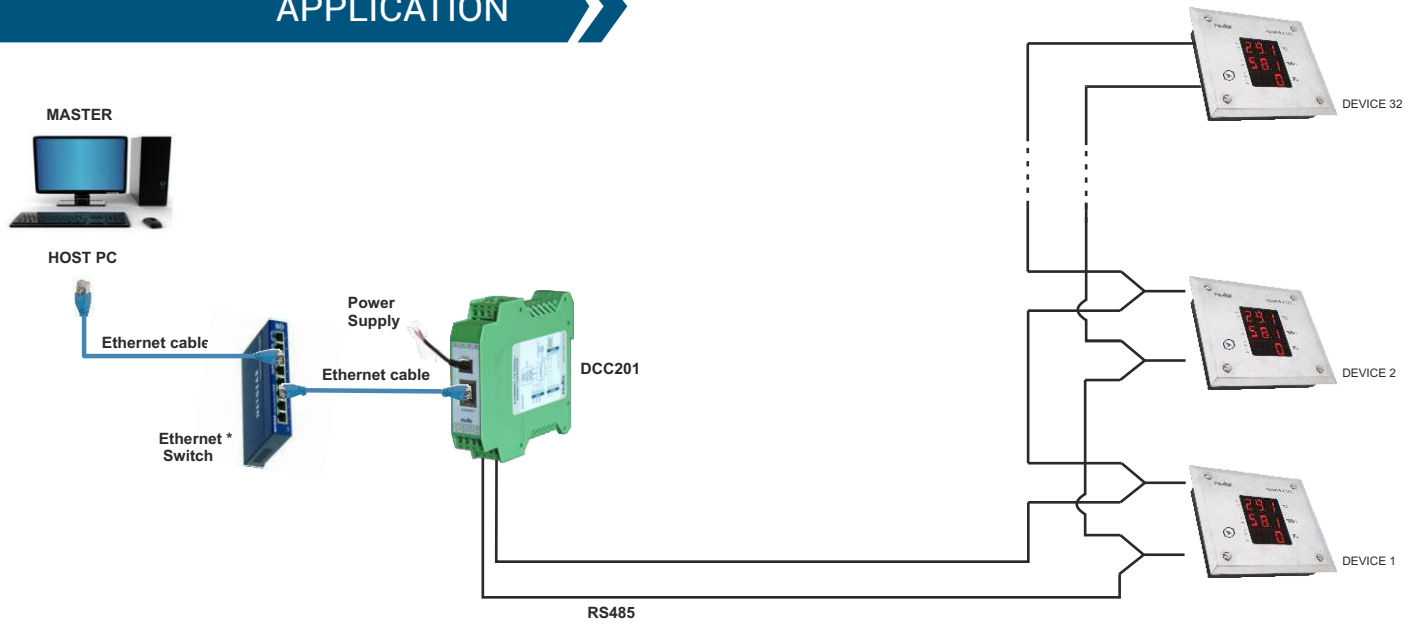


FIG 1

APPLICATION



SERIAL TO ETHERNET CONVERTER

SPECIFICATIONS

All specifications at ambient of 25 °C, unless specified otherwise

SYSTEM			
CPU	32 bit MCU		
COMMUNICATION INTERFACE			
Connector	RJ45		
Ethernet	10/100 Base-TX, 8-pin RJ-45 x 1 (Auto-negotiating, LED indicator) Network Link/Activity		
Indicators (LEDs)	Browser based configuration utility		
Utility software	Telnet, TCP MODBUS		
Ethernet protocol	MODBUS RTU		
Serial protocol	3-wire RS232		
COM1	2-wire RS485		
	4-wire RS422		
Self-Tuner	Yes (automatic, RS485 direction control)		
UART	16c550 or compatible		
COM PORT FORMAT			
Baud rate (bps)	300, 600, 1200, 2400, 4800, 9600, 14400, 19200, 38400, 57600, 115200, 230400		
Data bit	5, 6, 7, 8		
Parity	None, Odd, Even, Mark, Space		
Stop bit	1, 2		
POWER			
Power input	24 V AC/DC (19 to 30 V AC/DC)		
Power consumption	0.05A @24VDC		
ISOLATION			
Mutual isolation between RS485 port, Ethernet port and Power supply	1000 VAC RMS		
ENCLOSURE			
Dimensions (in mm) (See Fig1)	100(H) x 22.5(W) x 114(D)		
Material	Nylon6		
Installation	Din rail mounting		
Mounting	Snap on for 35 mm DIN rail to DIN 46277		
ENVIRONMENTAL CONDITIONS			
Operating temperature	0 ~ 65 °C		
Storage temperature	-30°C to +80°C		
Operating humidity	10 ~ 95% RH, non-condensing		
CONNECTIONS			
Single/stranded wires	≤ 2.5 mm ² , AWG 14		
4-wire RS422	TxD+, TxD-, RxD+, RxD-, GND		
3-wire RS232	TxD, RxD ,GND		
2-wire RS485	D+, D-		
AC POWER ADAPTOR FOR DCC201			
Model	To be ordered separately ACA203		
Mains supply voltage	100~240VAC, 50/60hz		

ORDERING INFORMATION

SERIAL TO ETHERNET CONVERTER

Model : DCC201

Order Code : 2489

In the Box

DCC201	1 pc
Power Cable, 1.5 meter for 24VDC	1 pc

AC POWER ADAPTOR FOR DCC201

Model : ACA203

Order Code : 2571

ENQUIRIES

Instruments: sales@radix.co.in

Sensors: sensors@radix.co.in

Gauges: gauges@radix.co.in

Automation: automation@radix.co.in

Level: level@radix.co.in

RADIX ELECTROSYSTEMS PVT LTD
EL-135/136/137, Electronics Zone
TTC Indl. Area, MIDC, Mahape
Navi Mumbai - 400 710, India
+ 91 22 42537777 • sales@radix.co.in

radix®
www.radix.co.in