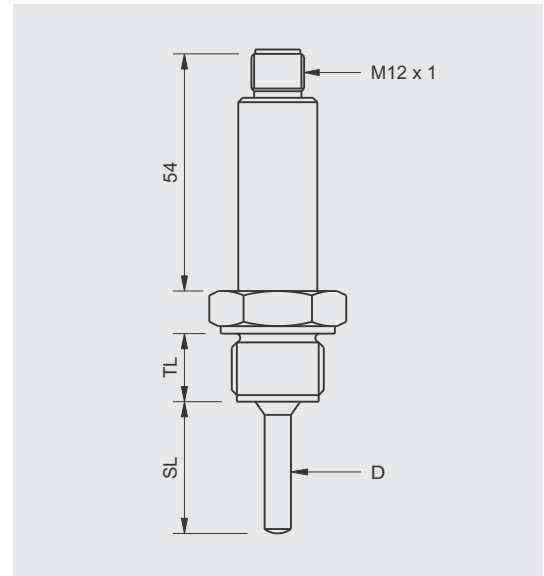


COMPACT RTD SENSORS WITH TRANSMITTER

- Integrated 4-20 mA transmitter
- Ranges from -50...+150°C
- Supply : 8...35VDC
- Accuracy : $\pm 0.1\%$ of measurement range *
- Accuracy of RTD (Pt100) : Class A accuracy as standard, Class AA optional
- Standard ranges : -10...+40°C, 0...50/100/150°C
- AISI 316L (1.4404) body and wetted parts
- Surface finish : $R_a \leq 0.8\mu\text{m}$
- Operating pressure : 10 bar maximum
- M12 connector with IP69K for electrical connections
- Variable insertion lengths from 30 mm onwards
- Highly accurate even with short insertion lengths
- Weld-in socket optional
- Temperature range (ambient) : -40...+80°C
- Connecting cable : Optional, 5 meter long



ACCURACY OF Pt100 AS PER IEC 60751

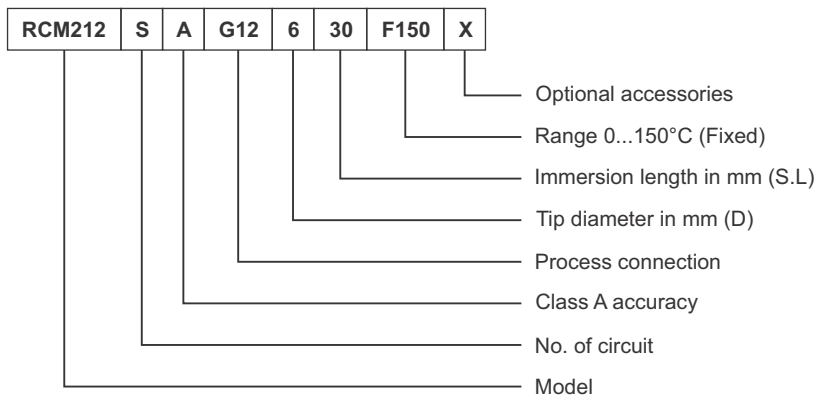
Pt100	A (1/3B)	AA (1/3B)
0°C (100Ω)	$\pm 0.15^\circ\text{C} / \pm 0.06\Omega$	$\pm 0.1^\circ\text{C} / \pm 0.04\Omega$
100°C (138.5Ω)	$\pm 0.35^\circ\text{C} / \pm 0.13\Omega$	$\pm 0.27^\circ\text{C} / \pm 0.1\Omega$

RESPONSE TIME

Tip Dia.	Imm. Length	T _{0.5}	T _{0.9}
6 mm	30 mm	3 s	6 s
3 mm	30 mm	1 s	2 s

T_{0.5} and T_{0.9} shows the response times at 50% and 90% of the step change. This data is measured by immersing the sensing bulb from ambient temperature to boiling water flowing at 0.4 m/sec. The result may vary according to the measuring environment and condition.

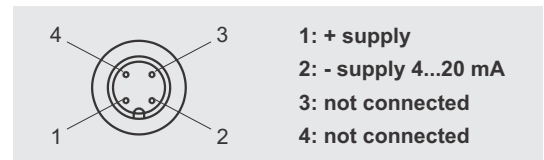
HOW TO ORDER



APPLICATIONS

- Food & Beverage
- Laboratory & Medical
- Oil & Gas / Chemical
- Water & Waste water

ELECTRICAL CONNECTION



THREAD LENGTH

Code	Thread	TL
G14	G1/4"	12 mm
G12	G1/2"	14 mm

OUTPUT RANGE

Range (°C)	Code
-50 to 50	F50C50
-50 to 100	F50C100
-10 to 40	F10C40
0 to 50	F50
0 to 100	F100
0 to 150	F150

NB : The transmitter must be protected from temperatures above 85°C
 * The deviation of RTD sensor must be added to get the measuring accuracy of the transmitter