

Model No. : 100.000 SS Case & SS Internals
110.000 100.000 Glycerine Filled

INDUSTRIAL AND PROCESS APPLICATIONS

Suitable for corrosive environments and gaseous or liquid media that does not obstruct the pressure system.

Due consideration has been given to international standards for durability, accuracy and quality of workmanship.

Used in Chemical Processing, Petroleum Refinery, Petrochemical, Fertilizer, Thermal & Nuclear Power Generating Industry and Process Applications.

Special Features

- All Stainless Steel construction
- Excellent load cycle stability and shock resistance.
- Whether proof to IP 68 per IS/IEC 60529:2001.
- Scale ranges upto 0...1000 Kg/cm2.
- Available with liquid filled case for application with high dynamics pressure pulsations or vibrations.

Design

IS 3624 - 1987 (in gen)

Nominal Dial Size

50, 63, 100, 150 and 250 mm

Accuracy (As per IS : 3624 - 1987)

50 and 63 mm : ± 1.6% of FSD
100, 150 and 250 mm : ± 1.6% of FSD
(Range upto 2.1 kg/cm²)
: ± 1% of FSD
(Range from 2.5 kg/cm² onwards)

Scale Ranges

50 and 63 mm
0 ... 2.5 kg/cm² to 0 ... 200 kg/cm² (Single range)
0 ... 2.1 kg/cm²/30 psi to 0 ...210 kg/cm²/3000 psi (Dual range)

100, 150 and 250 mm
0 ...1 kg/cm² to 0 ... 1000 kg/cm² (Single range)
0 ...1.06 kg/cm²/15 psi to 0 ... 700 kg/cm²/10000 psi (Dual range)

or other equivalent units of pressure or vacuum (for 63,100, 150 and 250 mm only)

Working Pressure

Steady : 75% of FSD
Fluctuating : 66% of FSD
Short Time : FSD

Operating Temperature

Ambient : -40 to 60 °C without liquid Filling
: -20 to 60 °C gauge with Glycerine filling

Medium : 200 °C Max. without liquid filling
: 100 °C Max. with Glycerine filling

Temperature Effect

When temperature of the pressure element deviates from reference temperature (+30 °C):
max. ±0.4 %/10 K of true scale value



Pressure Element

Bourdon tube, Stainless Steel 316L

50 and 63 mm
≤100 Kg/cm² : C type
>100 Kg/cm² : Helical type

100, 150 and 250 mm
≤70 Kg/cm² : C type
>100 Kg/cm² : Helical type

Movement

SS304

Dial

Off-white aluminium with pointer stop pin, with black / red lettering

Pointer

Black Aluminium. Zero-adjustment pointer for NS 100 & above

Case & Bezel

Case : SS304, Natural Finish
Bezel : SS304 Bayonet Type, Glossy Finish

Ingress Protection

IP 68 per IS / IEC 60529:2001

Window

50 and 63 mm
Instrument glass, 3 mm thick

100, 150 and 250 mm
Toughened glass, 4mm thick

Model No. : 100.000 SS Case & SS Internals
 110.000 100.000 Glycerine Filled

Process Connection

Material : SS316L / SS304

Standard Threads

50 and 63 mm : 1/4" BSP/NPT

100, 150 and 250 mm : 3/8" or 1/2" BSP/NPT

Mounting

50 & 63 mm

(DB) Direct mounting bottom entry

(BDM) Direct mounting back entry

(FPB) Flush mounting back entry with bracket

(BPM) Flush mounting back entry with panel

100 & 150 mm

(DB) Direct mounting bottom entry

(BDM) Direct mounting back entry

(FPB) Flush mounting back entry with bracket

(FPDB) Flush mounting bottom entry with bracket

(BPM) Flush mounting back entry with panel

(SM) Surface mounting bottom entry

250 mm

(DB) Direct mounting bottom entry

BOD (Vent Plug)

Neoprene

Liquid Filling (For Model 110.000)

Glycerine 99.7 %

Joints

TIG welded

Special Version

Gauge for Ammonia and Freon Plant (NS 63 and 100 mm) with temperature scale in °F

Optional Extra

- Other Process Connection
- Assembly on diaphragm seals see Model 400.000
- Silicon oil filling
- Alarm Contacts see Model 301.000

ACCESSORIES



Adaptors



Pulsation Dampner



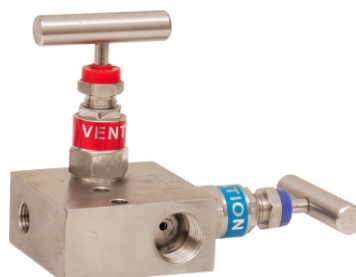
Gauge Cock



Isolation Valve



Gauge Saver



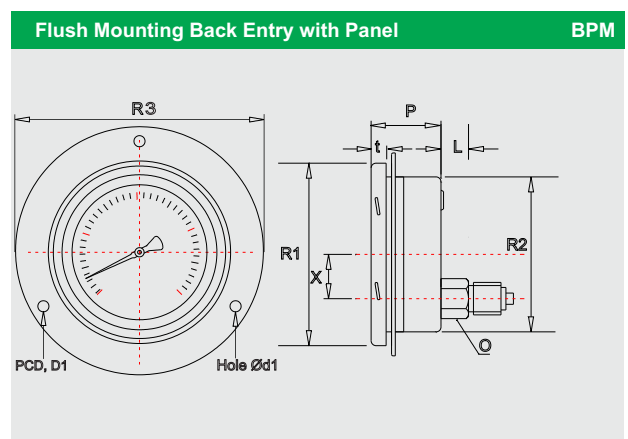
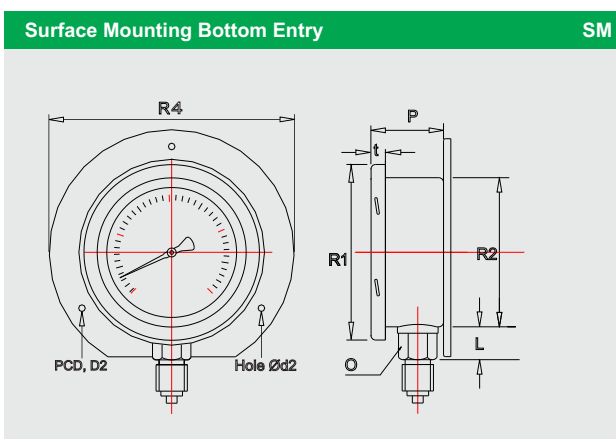
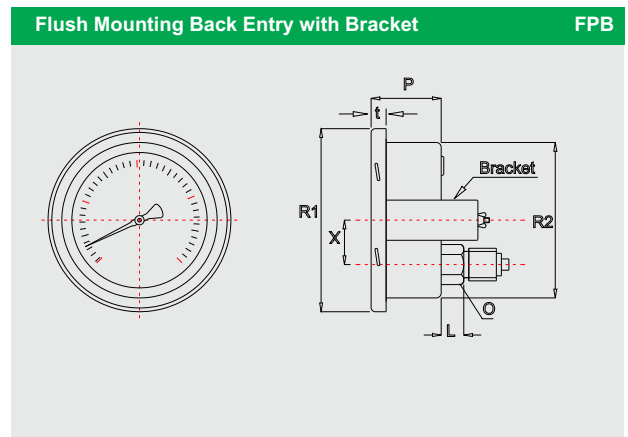
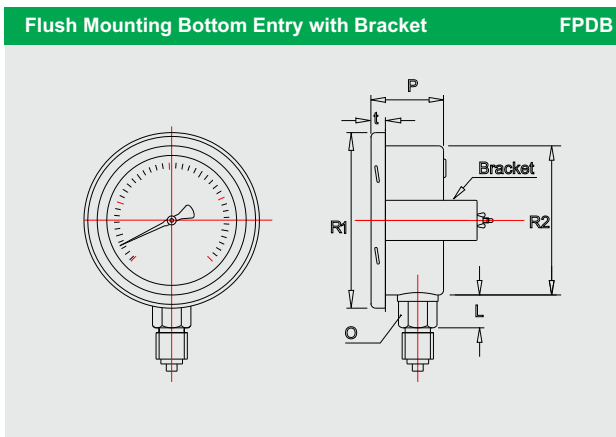
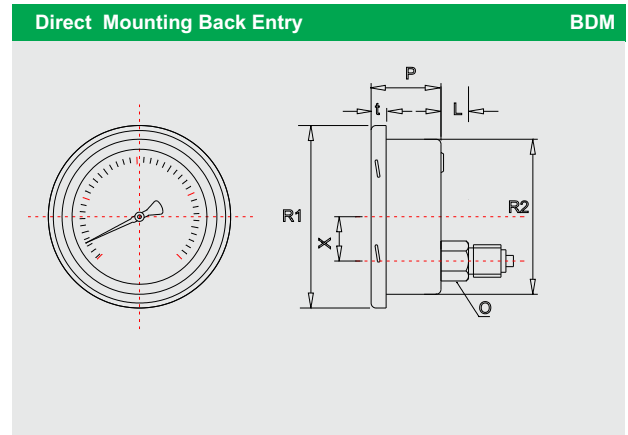
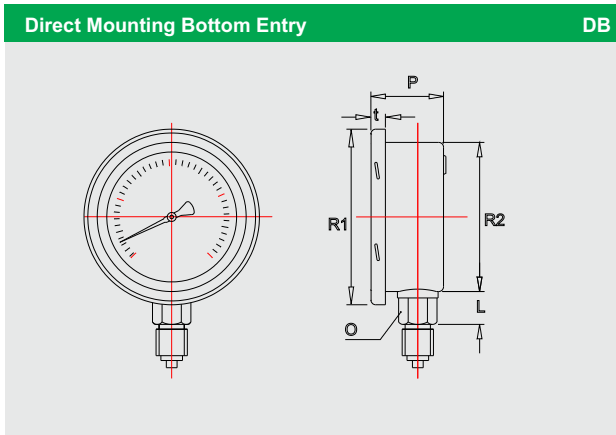
Manifold Valve



Syphon

Model No. : 100.000 SS Case & SS Internals
110.000 100.000 Glycerine Filled

DIMENSIONS



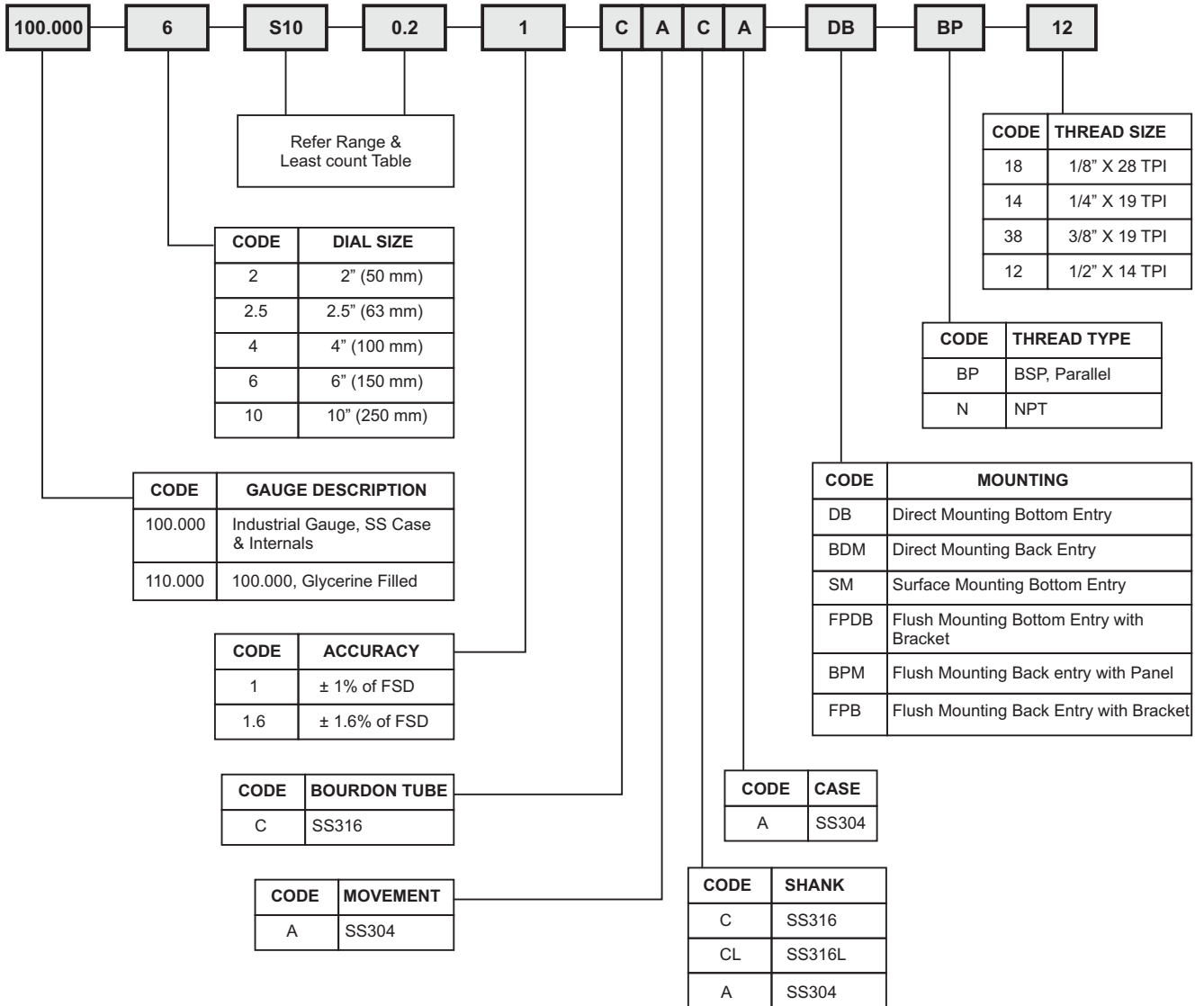
DIAL SIZE	R1	R2	t	P	L	O	X	R3	D1	d1	R4	D2	d2
50	51	60.5	12.5	33	14	14	0	78	65	4.8	-	-	-
63	73	64	12.5	33	14	14	0	91	77.8	4.8	-	-	-
100	110	100	15	50	16	22	30	134	120	5.4	128	116	5.4
150	165	150	15	50	16	22	48	189	175	5.4	198	171	5.4
250	270	250	15	50	16	22	-	-	-	-	-	-	-

• All dimensions are in mm

Model No. : 100.000 SS Case & SS Internals
110.000 100.000 Glycerine Filled

HOW TO ORDER

ITEM CODE



ALSO AVAILABLE



GLYCERINE FILLED BOURDON TUBE GAUGE



SEALED DIAPHRAGM GAUGE



LOW PRESSURE DIAPHRAGM GAUGE



COMPACT CAPSULE GAUGE