

# LOOP POWERED LCD INDICATOR

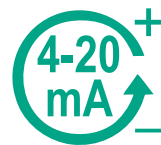
# PLC401



Range Selection



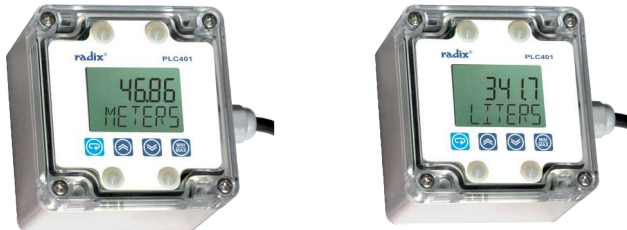
IP65 Protection



4~20 mA Current Input

## DIFFERENT PROGRAMMABLE UNITS

---



## ABOUT PLC401

---

PLC401 is loop powered LCD indicator, with 6-digit LCD display. PLC401 accepts 4~20 mA input signal and displays the associated process variable. With its cutting edge technology the offered PLC401 is considered as the best alternative to analog meter. The instrument can be configured by the use of three push button key available on front. MIN/MAX feature is given & can be accessible using key on front.

## APPLICATIONS

---

- Provides process value indication in various industrial control & measurement applications such as pressure, flow, level, temperature, humidity
- Can be used as remote indicator where power source is not available

# LOOP POWERED LCD INDICATOR

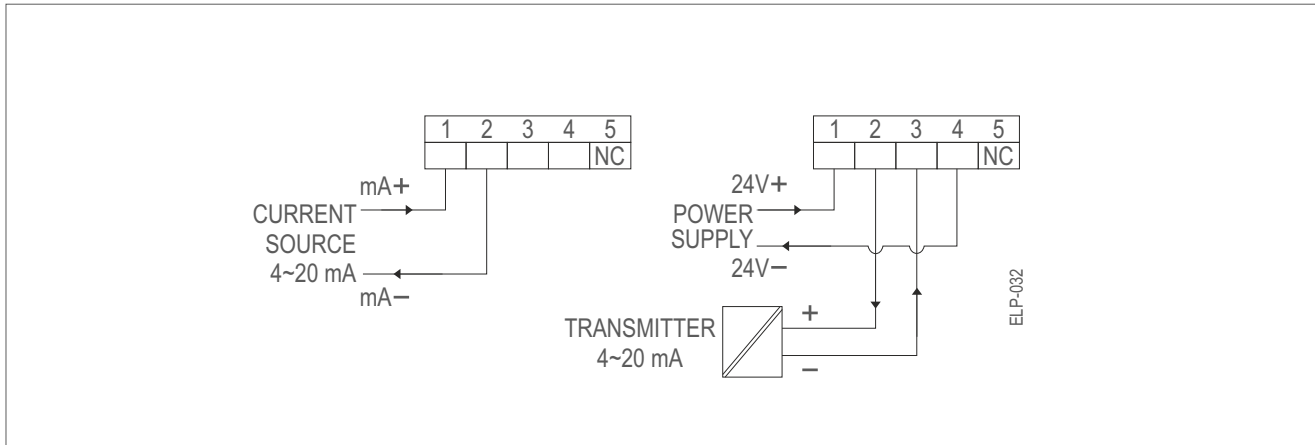
# PLC401

## SPECIFICATIONS

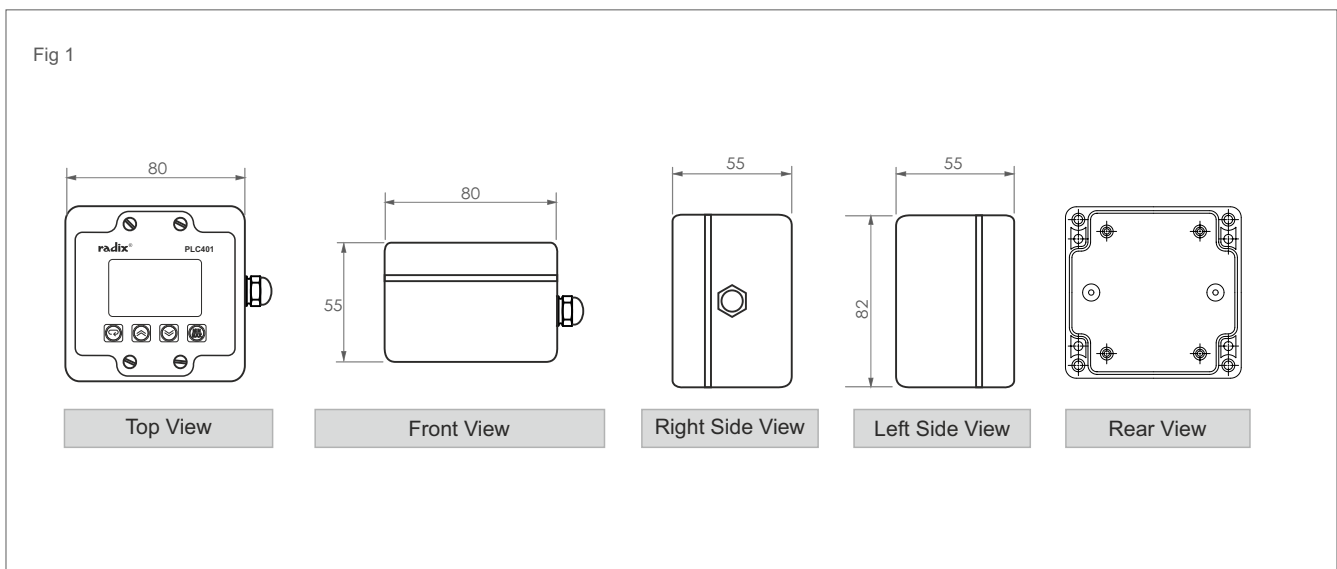
All specifications at ambient of 25 °C, unless specified otherwise

| INPUT                    |  |
|--------------------------|--|
| Input                    | Loop supply DC current   |
| Operating input current  | 3.6 ~ 25 mA current input  |
| Maximum Input Current    | 100mA  |
| Range                    | -1999 to 9999 user selectable with resolution 0.001, 0.01, 0.1 or 1      |
| ACCURACY                 |  |
| Linear                   | ± 0.1% of span (typical)   |
| Square root              | ± 0.5% of span   |
| Temperature coefficient  | ± 0.005% span/°C of accuracy   |
| RESPONSE TIME            |  |
| Response time            | < 0.5 seconds  |
| MONITOR                  |  |
| Under Range              | User set upto 3.6mA, For input current <3.6mA display shows Under Range  |
| Over Range               | User set upto 25mA, For input current >25mA display shows Over Range     |
| INDICATION               |  |
| Display                  | Dual row LCD display   |
| Digits                   | Upper row, 6-digit, 10.5 mm height<br>Lower row, 7-digit, 6.94 mm height |
| Backlight                | Enable/Disable option  |
| POWER SUPPLY             |  |
| Supply voltage           | 4 to 20 mA loop powered  |
| Voltage drop             | < 5 volts  |
| Over voltage protection  | Provided   |
| Short-circuit protection | Provided   |
| Reverse polarity         | Provided   |
| TEMPERATURE, HUMIDITY    |  |
| Ambient, storage         | -25 ~ +80 °C   |
| Ambient, operation       | -5 ~ +70 °C  |
| Stability                | 0.0012 % / °C  |
| MECHANICAL               |  |
| Enclosure housing        | ABS plastic  |
| Cable gland              | PG7, suitable for cable dia 3 to 6.5 mm                                  |
| Protection               | IP65   |
| Dimension                | See Fig 1  |
| PROGRAMMABLE PARAMETERS  |  |
| Low scale                | Over full range  |
| High scale               | Over full range  |
| Mode                     | Linear, square root 1 & square root 2                                    |
| Decimal point            | 0.001, 0.01, 0.1 or 1  |
| Digital filter           | 0~9  |
| Underrange               | 3.6~4.00mA   |
| Overrange                | 20.0~25.0mA  |
| Bias                     | 0~1000   |

## CONNECTION DIAGRAMS



## DIMENSIONS mm



# LOOP POWERED LCD INDICATOR

# PLC401

## FEATURES SUMMARY

- 4~20 mA loop current input
- Operational mode: Linear or square root, user programmable
- Accuracy : 0.1% of span, typical
- Loop voltage drop <5V
- Reverse polarity protection
- MIN/MAX feature available & accessible via front keys
- Easy on site calibration and programming via keys
- Locking / unlocking facility for parameter configuration
- Tested for surge protection according to IEC61000-4-5 for ±1KV

## ORDERING INFORMATION

|            |      |
|------------|------|
| ORDER CODE | 3017 |
|------------|------|

### ENQUIRIES

**Instruments** : sales@radix.co.in • + 91 9324934061  
**Sensors** : sensors@radix.co.in • + 91 9321415829  
**Gauges** : gauges@radix.co.in • + 91 8591305907  
**Automation** : automation@radix.co.in • + 91 9320997925  
**Level** : level@radix.co.in • + 91 9324936358  
**Flow** : flow@radix.co.in • + 91 9324936358

**RADIX ELECTROSYSTEMS PVT LTD**  
EL-135/136/137, Electronics Zone, TTC Indl. Area, MIDC, Mahape  
Navi Mumbai - 400 710, India  
+ 91 9324934061 • sales@radix.co.in