

radix®

GPS CLOCKS
KEEPS YOUR PLANT IN SYNC



www.radix.co.in

GPS MASTER-SLAVE CLOCKS

Radix offers GPS based solution for accurate and consistent timekeeping within a facility, whether a factory or an office.

Radix GPS based clocks, offer wireless and wired solutions for time synchronisation. Taking the time signal from GPS satellites, the GPS master device re transmits this over a wireless/wired link to all the slave clocks in range.

Radix blind RF repeaters are used to repeat the time signals to increase the range of wireless system.

Wireless slave clocks are configured as repeaters to increase range of wireless system.

A variety of sizes, display colours and materials of construction are available in compact form factor and economical package.

FEATURES

- Time Source - GPS satellite or NTP server.
- Ethernet communication for reduced synchronizing time.
- Software for synchronizing PC time.
- Wireless solution for reduced cabling.
- Range expansion without using additional hardware.
- Built-in RTC with battery backup.
- 39 Timezones and Daylight Saving Time adjustment.
- 12H and 24H format.
- User friendly interface for configuration.
- IP65 and Flameproof compliance.
- 2.3" and 4.0" super bright seven segment LED display.
- Multiple colour options - Red, green and white colours.
- Multiple mounting arrangements like Table-top, wall mount, flush mount and hanging models.
- Health monitoring utility for Ethernet and RS485 clocks.
- Parameter configuration utility for master clocks and RS485 clocks.
- Provision to update RTC of RS485 devices.

APPLICATIONS

- Pharma manufacturing facilities
- Automotive industries
- Auditorium
- Hospitals
- Office building
- Malls
- Government office
- Manufacturing industries

GPS MASTER

GMC201 : RF, RS485



GMC203 : ETHERNET, RS485, RF



GMC201 : FLAMEPROOF



- Time format : 6 digit (HH:MM:SS)
- Colour : Red
- Isolation power supply and RS485 : 2000VAC, RMS, 1 minute
- Operating temperature : 0 - 50 °C
- Storage temperature : 0 - 60 °C
- Relative humidity : 0-95 %, non-condensing

- Enclosure : Gas group IIA & IIB, CMRI, Dhanbad
- Finish : Grey, Epoxy coated
- Protection : IP55 as per IS/IEC 60529-2001
- MOC : Aluminium casting alloy LM-6
- Display window : Toughened glass 8mm thick
- Cable entry : 1/2" NPT x 2 Nos.
- Cable gland : Not provided

Note : Display time accuracy - Within one second of GPS/Server time when synchronized

SPECIFICATIONS

	GMC201	GMC203	GMC201 FLAMEPROOF
Power supply	85~265 V AC / 50 Hz	12~48 VDC, PoE (IEEE802.3af, Class 1)	85~265 V AC / 50 Hz
CPU	32 bit	32 bit	32 bit
Time source	GPS	GPS, NTP	GPS
Communication interface			
Master to slave	RF wireless, RS485 (MODBUS RTU)	RS485 (MODBUS RTU), Ethernet (10/100 Base-TX, 8-pin RJ-45X1, Auto-negotiating), RF wireless	RF wireless, RS485 (MODBUS RTU)
Utility	PC based	Browser based, PC based	PC based
Protocol	Proprietary	TCP, UDP, HTTP, DHCP, SNTP	Proprietary
LED indication	AM, PM, PPS/RTC, RFTX, RS485, LOW BAT	AM, PM, PPS, NTP, TXD, LINK, RFTX	AM, PM, PPS/RTC, RFTX, RS485, LOW BAT
Display size	0.56" (14.22 mm)	0.362" (9.19 mm)	0.56" (14.22 mm)
Material	ABS with polycarbonate	MS	Aluminium Alloy LM-6, Finish Grey, Epoxy coated
Protection	IP20	NA	IP55
Mounting	Table top & Wall mount	Wall Mount	Wall mount
GPS Antenna	External antenna (3 m)	External antenna (3 m)	External antenna (3 m)
Power consumption	4.2 watts	1.2 watts	3 watts

SLAVE CLOCKS

COMMON FEATURES

- Controller : 32 bit CPU
- Display colour : Red
- Material : SS304
- Mounting : Table-top, Wall mounting, Hanging, Flush mounting
- Operating temperature : 0~50 °C
- Storage temperature : 0~60 °C
- Relative humidity : Below 90%, non-condensing

RF SLAVE CLOCK

- **Power supply**
85~265 VAC / 50Hz
- **Master to slave link**
RF wireless (867MHz)
- **Protocol**
Proprietary
- **Parameter configuration**
DIP Switch
- **LED indications**
PM, SYNC
- **Protection**
IP65 (on demand) /
FLP (on demand)
- **Power consumption**
GSC301 - 3 watts
GSC401 - 5 watts
GSC311 - 3.2 watts
- **Breakdown voltage**
2KV

Note :
Display time accuracy -
Within 1 sec of master
time when synchronized



2.3", HH:MM, 311x117x29mm



2.3", HH:MM:SS, 424x117x29mm



4", HH:MM, 500x180x32mm



4", HH:MM:SS, 610x180x32mm



2.3", 12 Digit, HH:MM:SS, DD:MM:YY, 420x205x22mm

- **LED indications**
AM, PM, SYNC

RS485 SLAVE CLOCK

- **Power supply**
85~265 VAC / 50Hz
- **Master to slave link**
RS485
- **Protocol**
MODBUS RTU
- **Parameter configuration**
PC based utility
- **LED indications**
PM, SYNC
- **Protection**
IP65 (on demand) /
FLP (on demand)
- **Power consumption**
GSC301 - 2.7 watts
GSC401 - 3.5 watts
- **Breakdown voltage**
2KV



2.3", HH:MM, 311x117x29mm



2.3", HH:MM:SS, 424x117x29mm



4", HH:MM, 500x180x32mm



4", HH:MM:SS, 610x180x32mm

SLAVE CLOCKS

ETHERNET SLAVE CLOCK

- **Power supply**
85~265 VAC
- **Master to slave link**
Ethernet [10/100 Base-TX,
8-pin RJ-45X1
- **Protocol**
TCP, UDP, HTTP, DHCP,
SNTP, MODBUS TCP
- **Parameter configuration**
Browser based
- **LED indications**
PM, SYNC
- **Protection**
FLP (on demand)
- **Power consumption**
GSC301 - 4.5 watts
GSC401 - 5.5 watts
GSC311 - 5 watts
- **Breakdown voltage**
2KV



2.3", HH:MM, 311x117x29mm



2.3", HH:MM:SS, 424x117x29mm



4", HH:MM, 500x180x32mm



4", HH:MM:SS, 610x180x32mm

- **LED indications**
AM, PM, SYNC



2.3", 12 Digit, HH:MM:SS, DD:MM:YY, 420x205x22mm

BLIND RF REPEATER

- **Power supply**
85~265 VAC
- **Interface**
Master to Repeater & Repeater to slave clocks-
RF wireless(867 MHz)
- **LED indications**
Repeater
- **Protection**
IP20
- **Material**
ABS with polycarbonate
- **Mounting**
Table top and Wall mount
- **Power consumption**
2.8 watts



120x80x55mm

SLAVE CLOCKS

FLUSH MOUNTING RF/RS485/ETHERNET SLAVE CLOCK



2.3", HH:MM, 365x190x29mm



2.3", HH:MM:SS, 480x190x29mm



4", HH:MM, 555x255x32mm



4", HH:MM:SS, 665x255x32mm

FLAMEPROOF RF/RS485/ETHERNET SLAVE CLOCK



2.3", HH:MM, 385x211x97mm



2.3", HH:MM:SS, 600x301x105mm

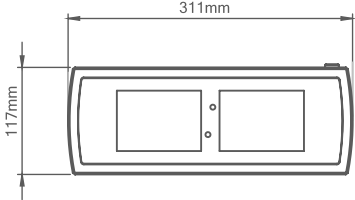
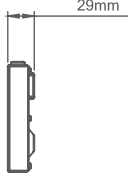
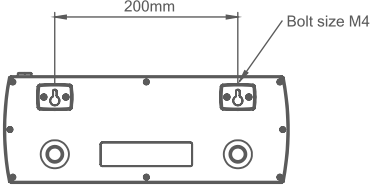
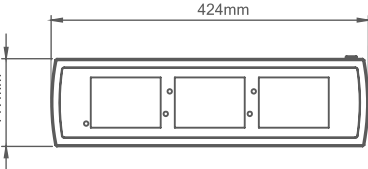
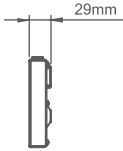
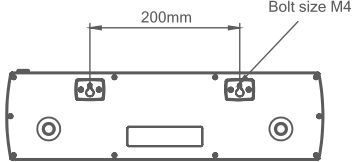
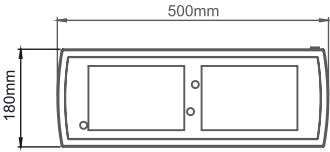

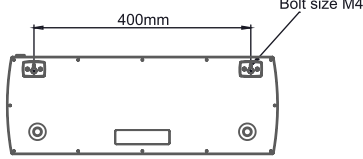
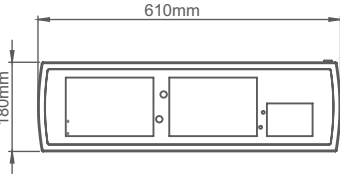
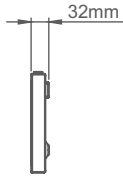
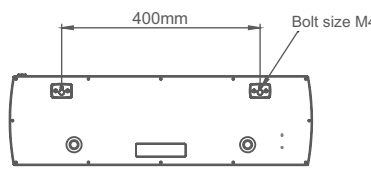
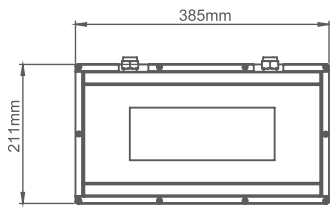
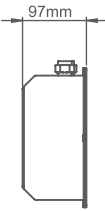
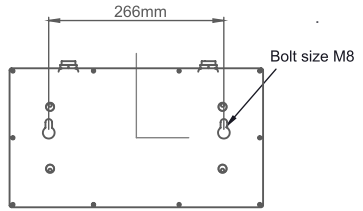
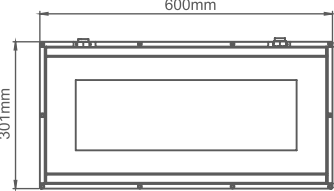
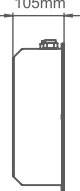
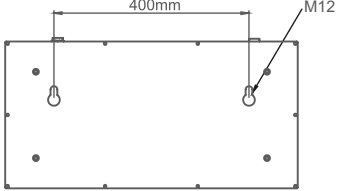


4", HH:MM, 600x301x105mm



WITHOUT SS COVER

DIMENSIONS

Model	Front View	Side View	Rear View
GSC301 2.3" HH:MM SS304			
GSC301 2.3" HH:MM:SS SS304			
GSC401 4" HH:MM SS304			
GSC401 4" HH:MM:SS SS304			
GSC301 2.3" HH:MM SS316 FLAMEPROOF WEIGHT 6 Kg			
GSC301 / GSC401 2.3" / 4" HH:MM:SS / HH:MM SS316 FLAMEPROOF WEIGHT 16.5 Kg			

DIMENSIONS

Model	Front View	Side View	Rear View
GSC301 2.3" HH:MM ALUMINIUM ALLOY LM-6 FLAMEPROOF WEIGHT 3 Kg			
GSC301 / GSC401 2.3" / 4" HH:MM:SS / HH:MM ALUMINIUM ALLOY LM-6 FLAMEPROOF WEIGHT 11.5 Kg			
GSC301 2.3" HH:MM SS304 FLUSH MOUNTING			
GSC301 2.3" HH:MM:SS SS304 FLUSH MOUNTING			
GSC401 4" HH:MM SS304 FLUSH MOUNTING			
GSC401 4" HH:MM:SS SS304 FLUSH MOUNTING			

DIMENSIONS

Model	Front View	Side View	Rear View
GSC311 2.3" HH:MM:SS / DD:MM:YY SS304			

Model	Front View	Bottom View	Side View	Rear View
GRR201				

Model	Front View	Side View	Bottom View
FLP GMC201			

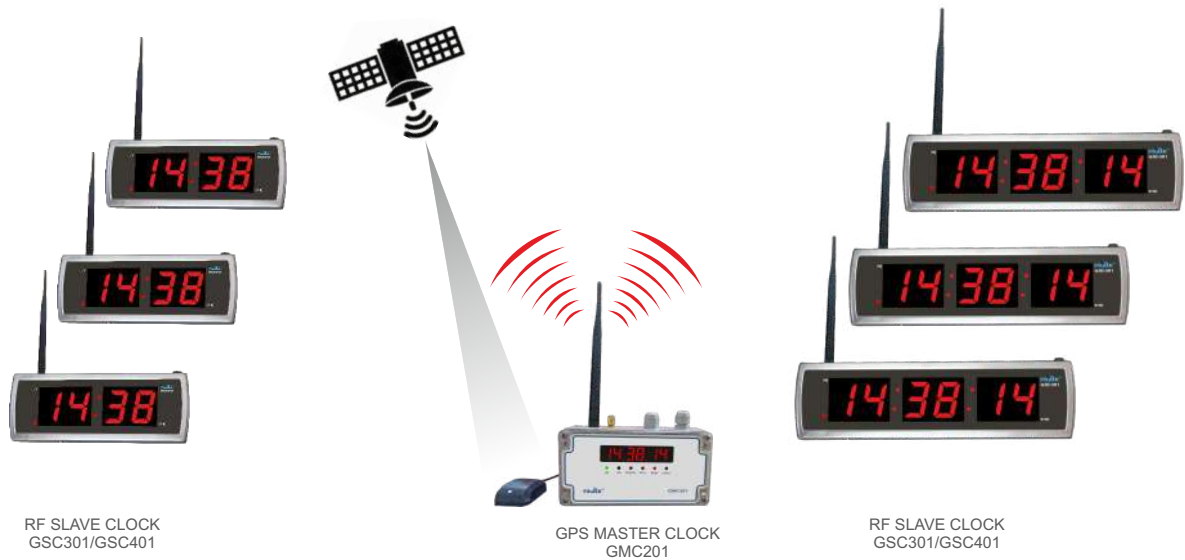
Model	Front View	Top View	Rear View	Side View
GMC201				

Model	Front View	Top View	Side View	Bottom View
GMC203				

APPLICATION DIAGRAMS

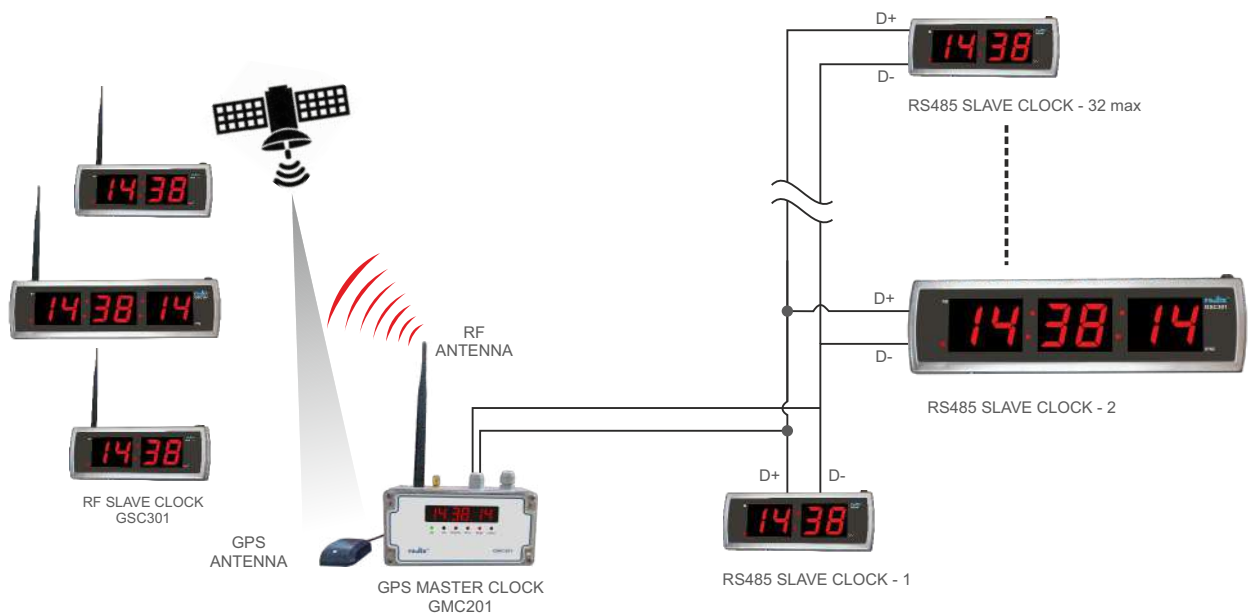
WIRELESS MASTER SLAVES NETWORK

The GPS Master Clock takes time signal from satellites and synchronizes all the slaves within range over a wireless network.



GPS MASTER & WIRED, WIRELESS SLAVES NETWORK

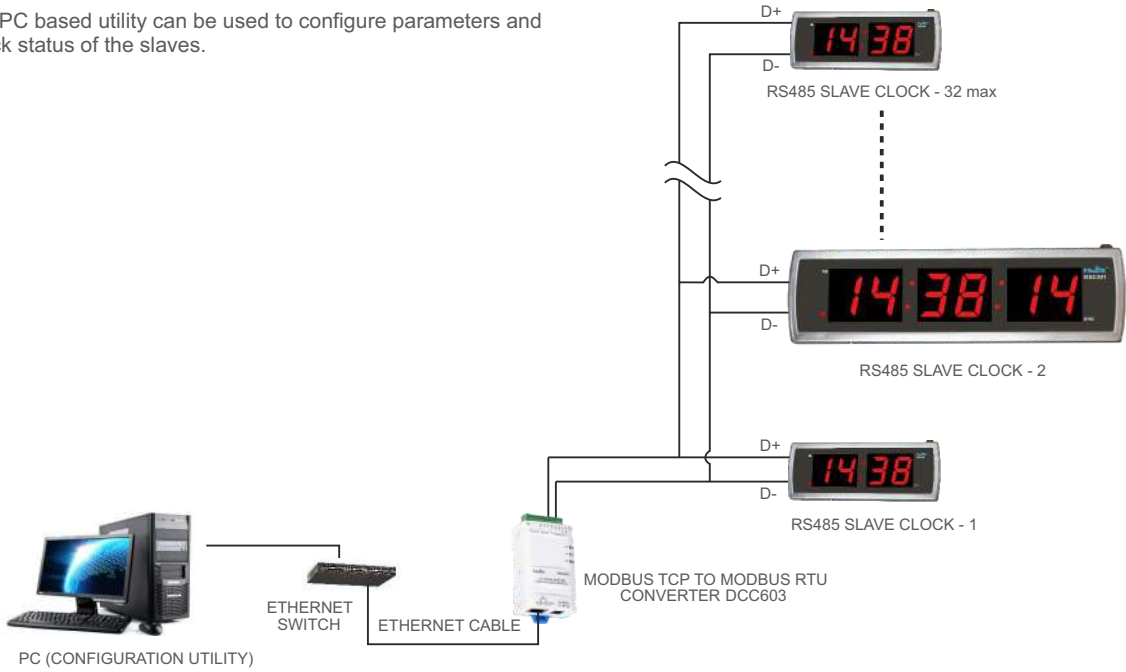
The master clock synchronizes wireless and wired slaves simultaneously.



APPLICATION DIAGRAMS

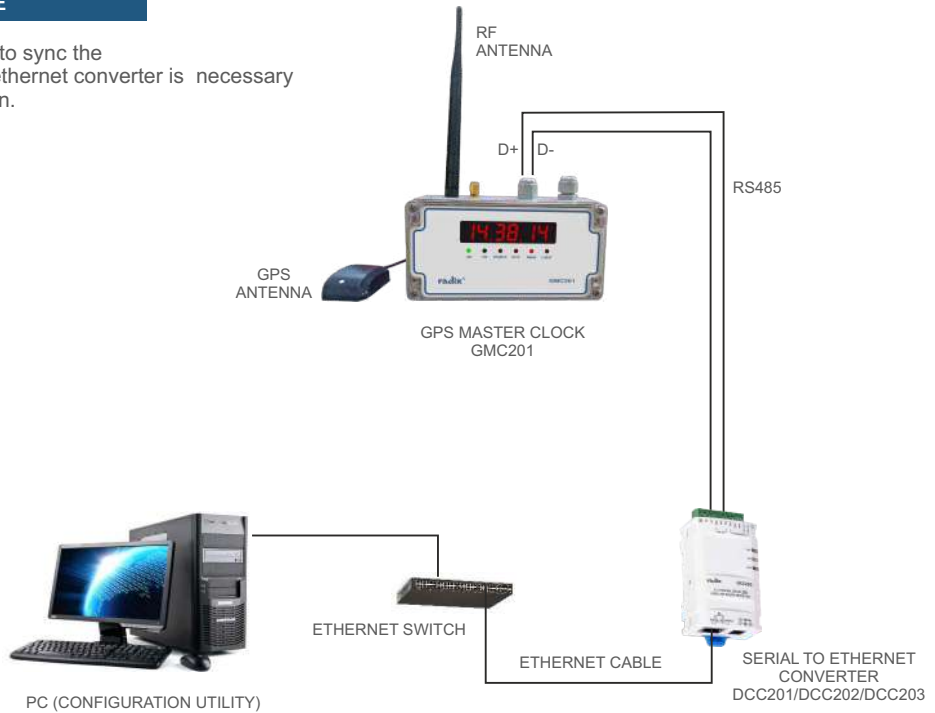
WIRED MASTER SLAVES NETWORK

The PC based utility can be used to configure parameters and check status of the slaves.



STANDALONE SLAVE

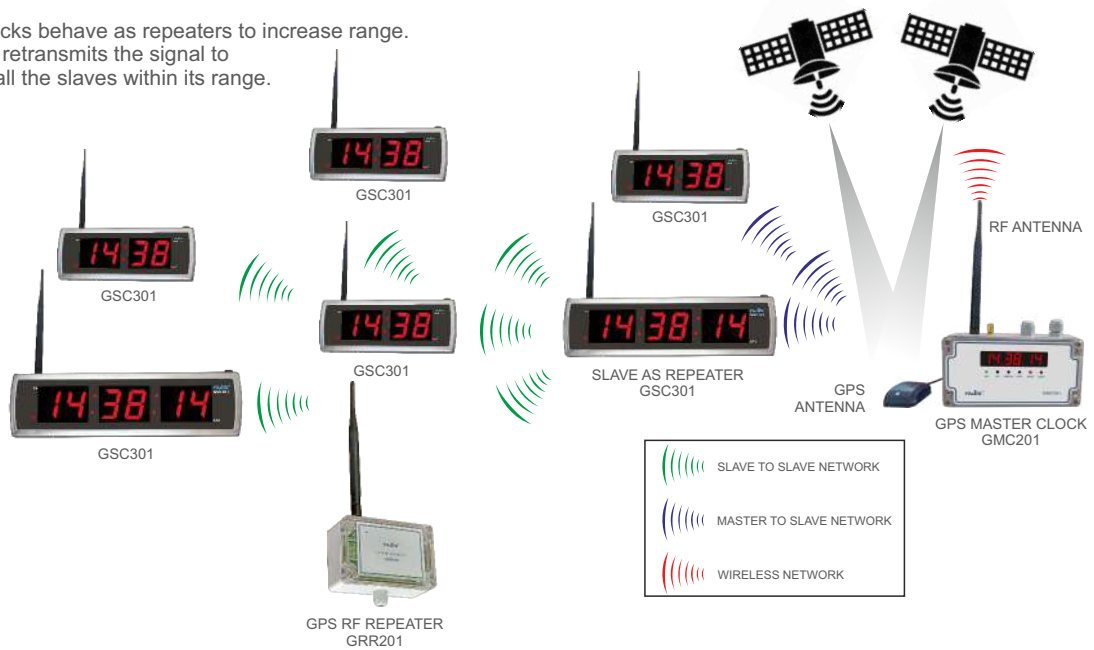
The master clock can be used to sync the PC with GPS time. A serial to ethernet converter is necessary for PC to device communication.



APPLICATION DIAGRAMS

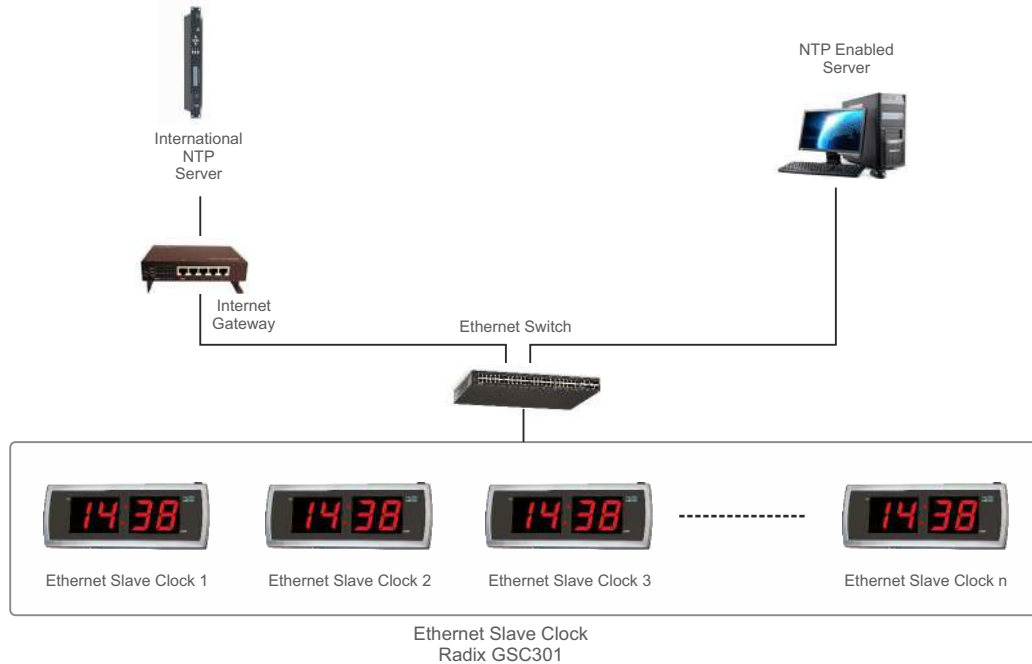
RANGE EXPANSION

The slave clocks behave as repeaters to increase range. The repeater retransmits the signal to synchronize all the slaves within its range.



NTP/GPS SLAVES NETWORK

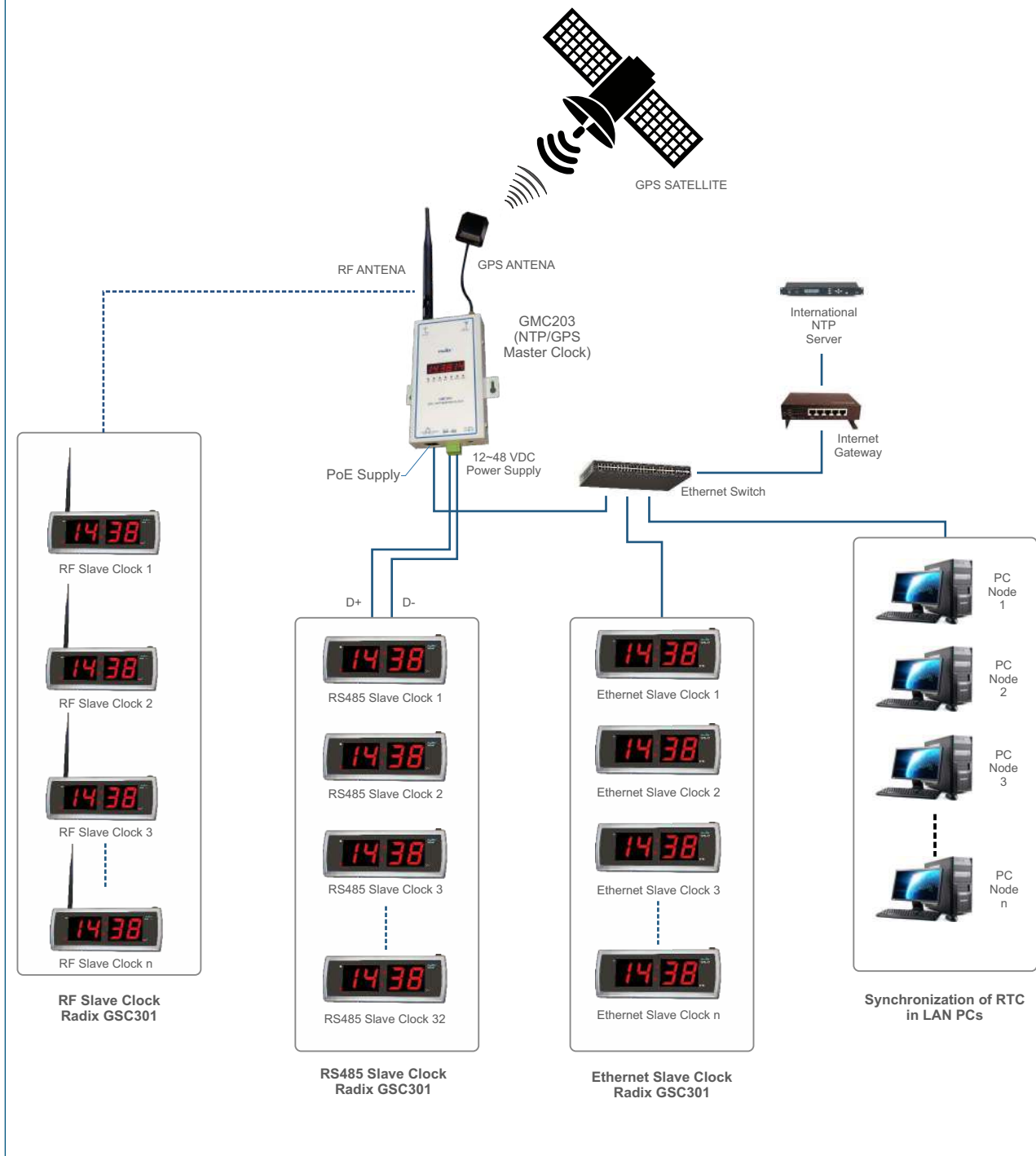
The Ethernet slaves can communicate with a NTP enabled server PC and get synchronized with NTP time.



APPLICATION DIAGRAMS

NTP/GPS MASTER NETWORK

The NTP master synchronizes Ethernet slave clocks, PCs and RS485 slaves to GPS/NTP time. A PC based utility is used to check status of all connected slaves.



ORDERING INFORMATION

RF SLAVE CLOCK

Model	Order Code	Digit Size	Display Format	Enclosure	Mounting	Interface	Power Supply
GSC301	2734	2.3"	HH:MM	SS	Wall	RF	85~265 VAC
GSC301	2735	2.3"	HH:MM:SS	SS	Wall	RF	85~265 VAC
GSC401	2736	4"	HH:MM	SS	Wall	RF	85~265 VAC
GSC401	2737	4"	HH:MM:SS	SS	Wall	RF	85~265 VAC
GSC301	2738-1	2.3"	HH:MM	FLP with SS housing	Wall	RF	85~265 VAC
GSC301	2738-2	2.3"	HH:MM	FLP without SS housing	Wall	RF	85~265 VAC
GSC301	2758-1	2.3"	HH:MM:SS	FLP with SS housing	Wall	RF	85~265 VAC
GSC301	2758-2	2.3"	HH:MM:SS	FLP without SS housing	Wall	RF	85~265 VAC
GSC401	2739-1	4"	HH:MM	FLP with SS housing	Wall	RF	85~265 VAC
GSC401	2739-2	4"	HH:MM	FLP without SS housing	Wall	RF	85~265 VAC
GSC301	2790	2.3"	HH:MM	SS	Flush	RF	85~265 VAC
GSC301	2791	2.3"	HH:MM:SS	SS	Flush	RF	85~265 VAC
GSC401	2802	4"	HH:MM	SS	Flush	RF	85~265 VAC
GSC401	2803	4"	HH:MM:SS	SS	Flush	RF	85~265 VAC
GSC311	2872	2.3"	HH:MM:SS, DD:MM:YY	SS	Wall	RF	85~265 VAC

RS485 SLAVE CLOCK

Model	Order Code	Digit Size	Display Format	Enclosure	Mounting	Interface	Power Supply
GSC301	2740	2.3"	HH:MM	SS	Wall	RS485	85~265 VAC
GSC301	2741	2.3"	HH:MM:SS	SS	Wall	RS485	85~265 VAC
GSC401	2742	4"	HH:MM	SS	Wall	RS485	85~265 VAC
GSC401	2743	4"	HH:MM:SS	SS	Wall	RS485	85~265 VAC
GSC301	2744-1	2.3"	HH:MM	FLP with SS housing	Wall	RS485	85~265 VAC
GSC301	2744-2	2.3"	HH:MM	FLP without SS housing	Wall	RS485	85~265 VAC
GSC301	2759-1	2.3"	HH:MM:SS	FLP with SS housing	Wall	RS485	85~265 VAC
GSC301	2759-2	2.3"	HH:MM:SS	FLP without SS housing	Wall	RS485	85~265 VAC
GSC401	2745-1	4"	HH:MM	FLP with SS housing	Wall	RS485	85~265 VAC
GSC401	2745-2	4"	HH:MM	FLP without SS housing	Wall	RS485	85~265 VAC
GSC301	2853	2.3"	HH:MM	SS	Flush	RS485	85 to 265 VAC
GSC301	2854	2.3"	HH:MM:SS	SS	Flush	RS485	85 to 265 VAC
GSC401	2840	4"	HH:MM	SS	Flush	RS485	85 to 265 VAC

ORDERING INFORMATION

ETHERNET SLAVE CLOCK

Model	Order Code	Digit Size	Display Format	Enclosure	Mounting	Interface	Power Supply
GSC301	2746	2.3"	HH:MM	SS	Wall	Ethernet	PoE
GSC301	2747	2.3"	HH:MM:SS	SS	Wall	Ethernet	PoE
GSC401	2748	4"	HH:MM	SS	Wall	Ethernet	PoE
GSC401	2749	4"	HH:MM:SS	SS	Wall	Ethernet	PoE
GSC301	2750-1	2.3"	HH:MM	FLP with SS housing	Wall	Ethernet	PoE
GSC301	2750-2	2.3"	HH:MM	FLP without SS housing	Wall	Ethernet	PoE
GSC301	2760-1	2.3"	HH:MM:SS	FLP with SS housing	Wall	Ethernet	PoE
GSC301	2760-2	2.3"	HH:MM:SS	FLP without SS housing	Wall	Ethernet	PoE
GSC401	2751-1	4"	HH:MM	FLP with SS housing	Wall	Ethernet	PoE
GSC401	2751-2	4"	HH:MM	FLP without SS housing	Wall	Ethernet	PoE
GSC301	2850	2.3"	HH:MM	SS	Wall	Ethernet	85~265 VAC / PoE
GSC301	2837	2.3"	HH:MM:SS	SS	Wall	Ethernet	85~265 VAC / PoE
GSC401	2821	4"	HH:MM	SS	Wall	Ethernet	85~265 VAC / PoE
GSC401	2838	4"	HH:MM:SS	SS	Wall	Ethernet	85~265 VAC / PoE
GSC401	2839-1	4"	HH:MM	FLP-With SS housing	Wall	Ethernet	85~265 VAC / PoE
GSC401	2839-2	4"	HH:MM	FLP without SS housing	Wall	Ethernet	85~265 VAC / PoE
GSC301	2822	2.3"	HH:MM	SS	Flush	Ethernet	PoE
GSC301	2828	2.3"	HH:MM:SS	SS	Flush	Ethernet	PoE
GSC401	2825	4"	HH:MM	SS	Flush	Ethernet	PoE
GSC301	2856	2.3"	HH:MM	SS	Flush	Ethernet	85~265 VAC / PoE
GSC301	2857	2.3"	HH:MM:SS	SS	Flush	Ethernet	85~265 VAC / PoE
GSC401	2875	4"	HH:MM	SS	Flush	Ethernet	85~265 VAC / PoE
GSC311	2959	2.3"	HH:MM:SS DD:MM:YY	SS	Wall	Ethernet	85~265 VAC / PoE

BLIND RF REPEATER

Model	Product code
GRR201	2876

MASTER CLOCK

Details	Model	Product code
With server time synchronization	GMC201	2733-1
Without server time synchronization	GMC201	2733-2
With server time synchronization	GMC201-FLP	2801-1
Without server time synchronization	GMC201-FLP	2801-2

Model	Product code
GMC203	2855

OTHER PRODUCTS

INSTRUMENTS



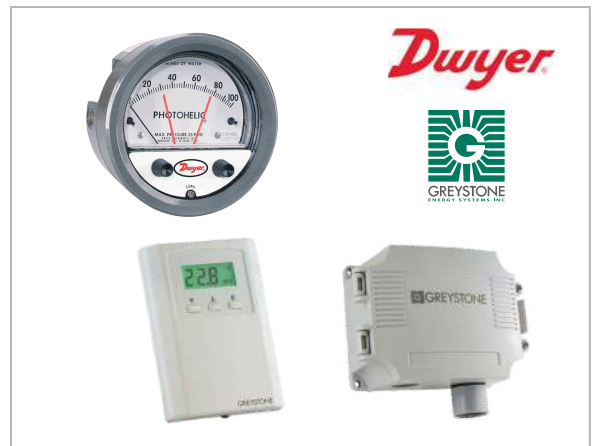
SCR POWER REGULATORS



LEVEL & FLOW PRODUCTS



INTERNATIONAL PARTNERS



RTDs & THERMOCOUPLES



BMS PRODUCTS

